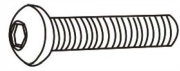


ASSEMBLING INSTRUCTION

9400

Ax4

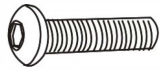


M6X30mm

Ex1

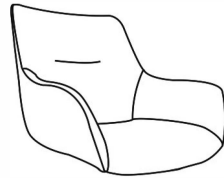


Bx2

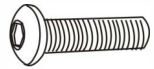


M6X25mm

Fx1

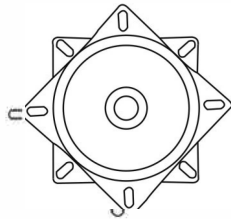


Cx2



M6X16mm

Gx1



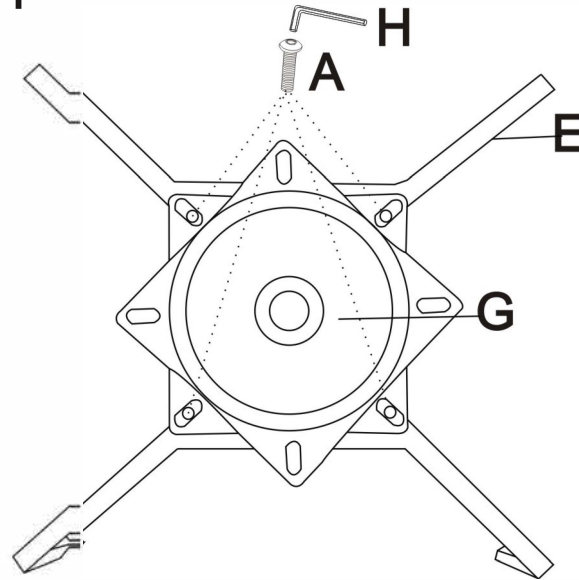
Dx2



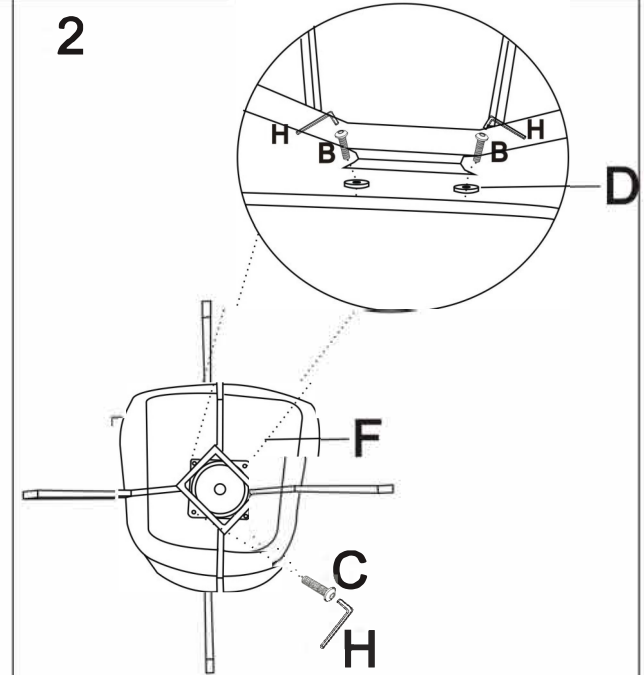
Hx1



1



2



3

