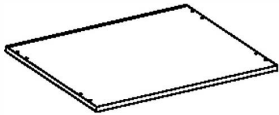
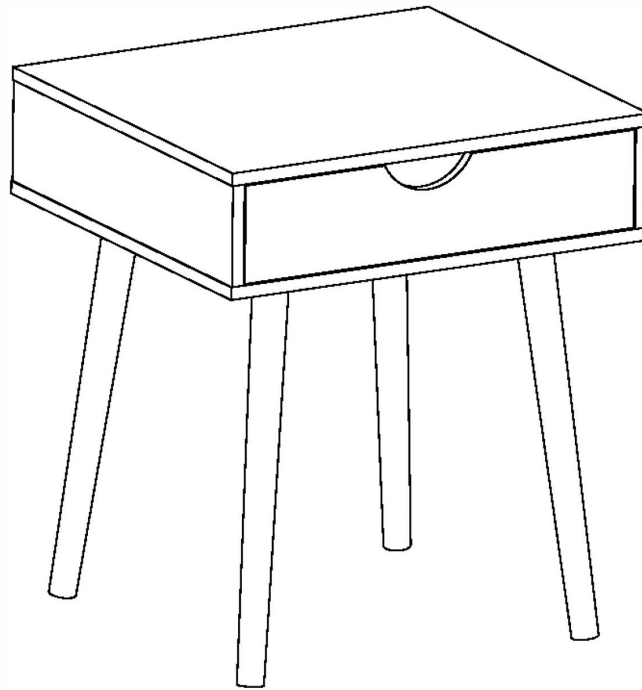
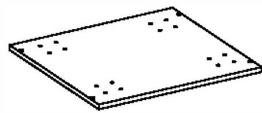


ASSEMBLY INSTRUCTION

DO NOT TIGHTEN SCREWS UNTIL COMPLETELY ASSEMBLED



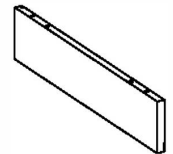
①×1PC



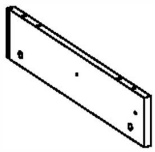
②×1PC



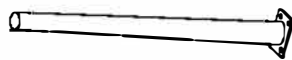
③×1PC



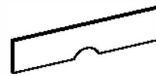
④×1PC



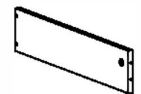
⑤×1PC



⑥×4PCS



⑦×1PCS



⑧×1PCS



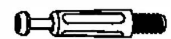
⑨×1PCS



⑩×1PCS



⑪×1PCS



A×8PCS



B×8PCS



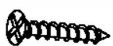
C×4PCS



D×8PCS



E×8PCS



F×4PCS



G×16PCS



H×1PC

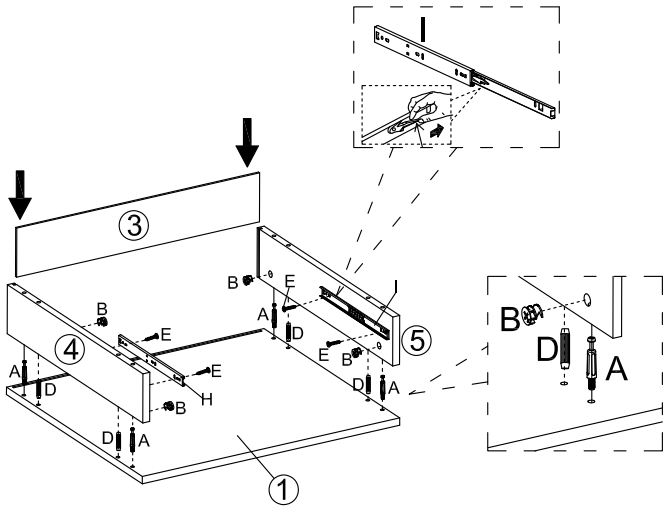


I×1PC

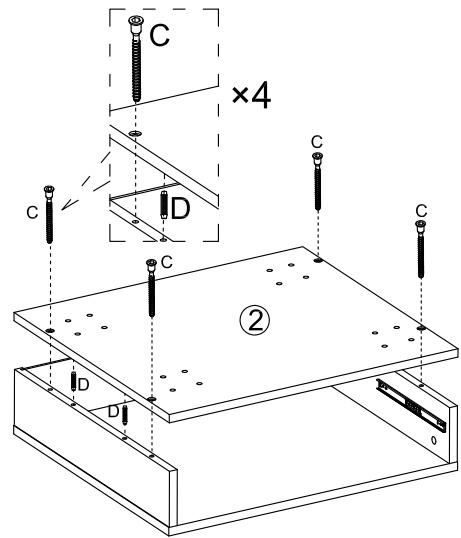


4mm
J×1PC

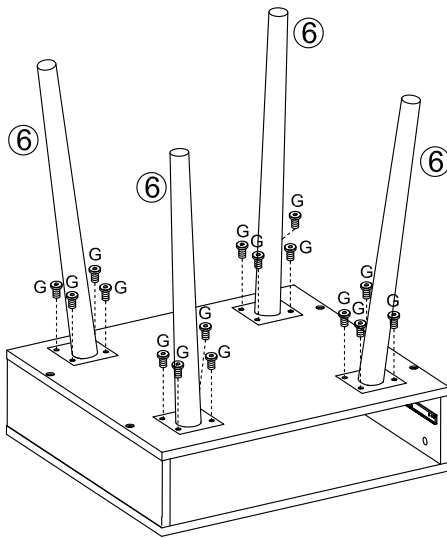
1



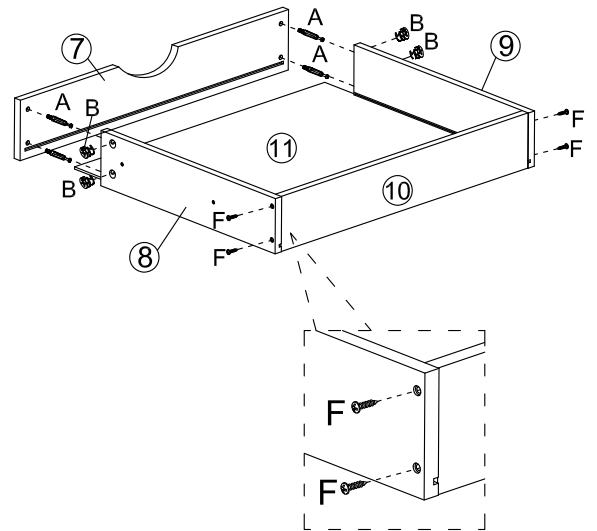
2



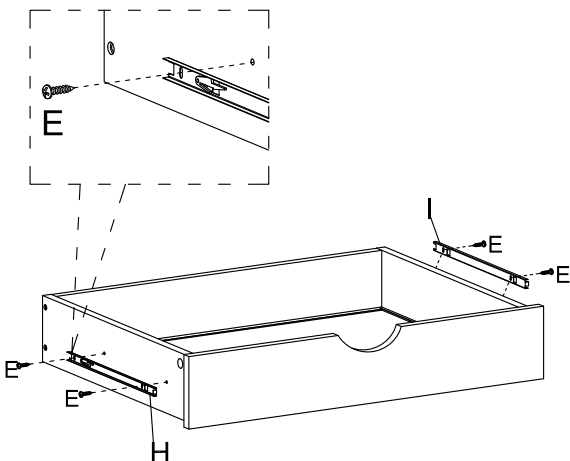
3



4



5



6

