
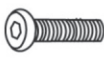
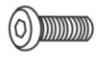





 <p>(A) x1</p>	 <p>(B) x1</p>	 <p>M6x30mm</p> <p>① x2</p>	 <p>M8x30mm</p> <p>② x2</p>
 <p>③ x2</p>	 <p>④ x2</p>	 <p>M6</p> <p>⑤ x1</p>	 <p>⑥ x2</p>	 <p>M8</p> <p>⑦ x1</p>	

