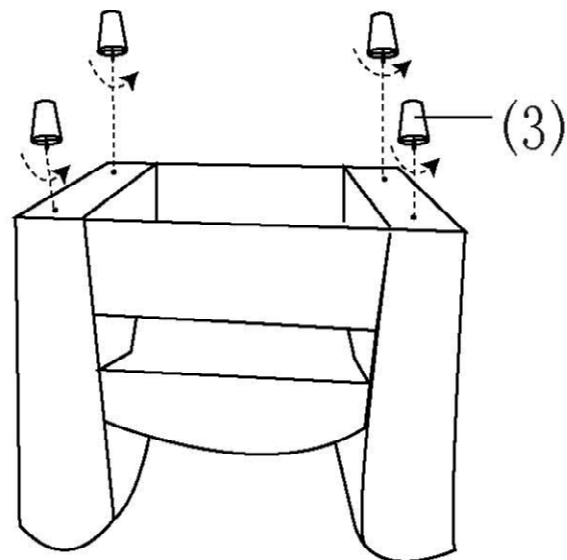
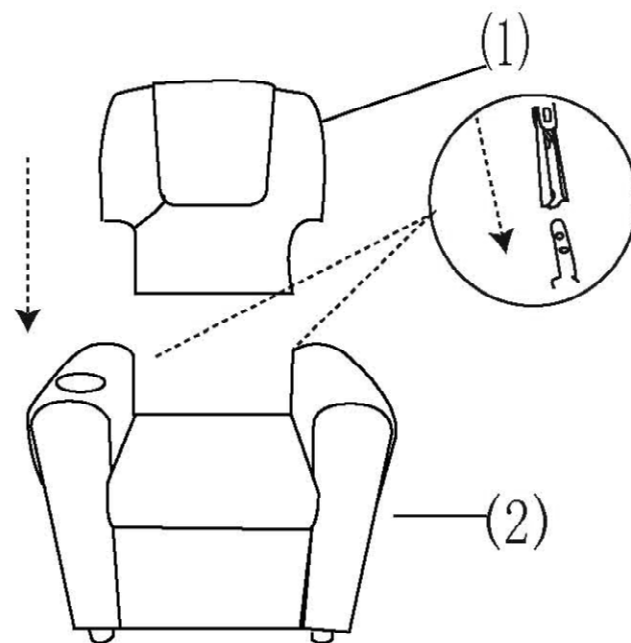


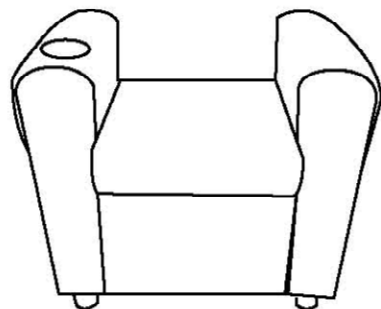
(1)*1



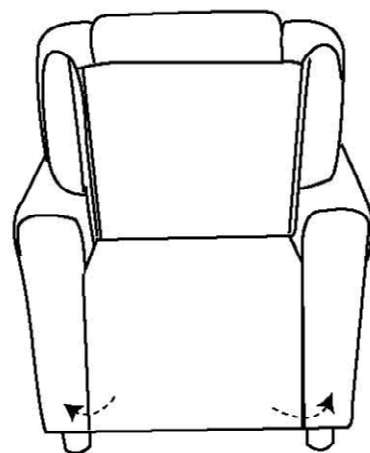
STEP1



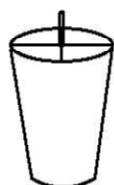
STEP2



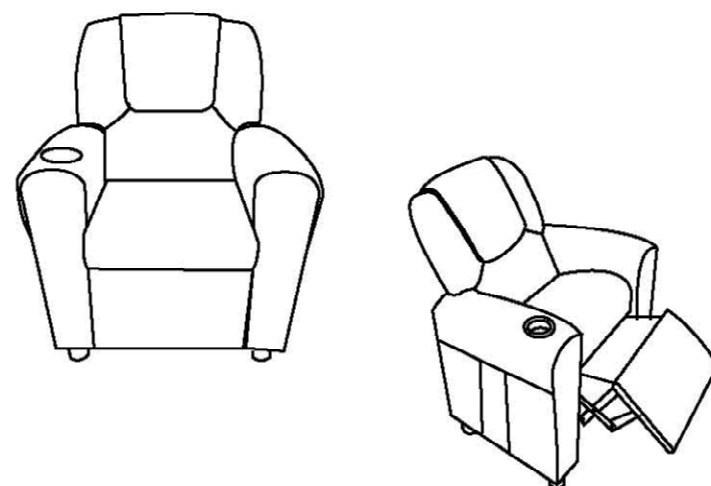
(2)*1



STEP3



(3)*4



STEP4