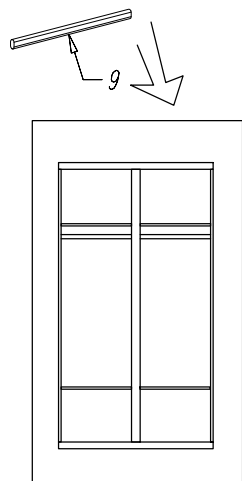
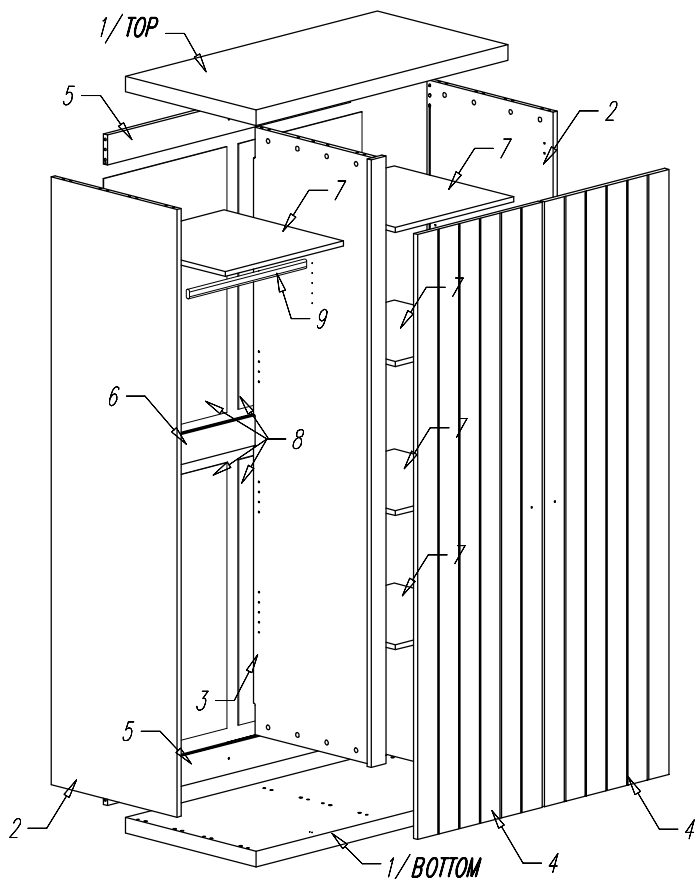


- |                          |                            |                        |                           |                       |                |                |                 |                |                       |                          |                          |                          |                           |                |
|--------------------------|----------------------------|------------------------|---------------------------|-----------------------|----------------|----------------|-----------------|----------------|-----------------------|--------------------------|--------------------------|--------------------------|---------------------------|----------------|
| <b>A</b><br>Ø8x40<br>x34 | <b>B</b><br>L=34/M6<br>x30 | <b>C</b><br>Ø15<br>x30 | <b>D</b><br>Ø35/h=0<br>x8 | <b>E</b><br>H=0<br>x8 | <b>F</b><br>x4 | <b>G</b><br>x4 | <b>H</b><br>x20 | <b>I</b><br>x6 | <b>J</b><br>Ø3<br>x12 | <b>K</b><br>Ø3x13<br>x16 | <b>L</b><br>Ø3x16<br>x12 | <b>M</b><br>Ø4x16<br>x16 | <b>N</b><br>Ø3,5x35<br>x3 | <b>O</b><br>x4 |
|                          |                            | <b>P</b><br>x2         |                           |                       |                | <b>R</b><br>x2 |                 |                |                       |                          |                          |                          |                           |                |

Robin-W2 1/2012



Colli 1/4:

Part no. 2 -2 pcs/St.

Colli 2/4:

Part no. 4 -2 pcs/St.

Part no. 8 -2 pcs/St.

Colli 3/4:

Part no. 3 -1 pcs/St.

Part no. 6 -1 pcs/St.

Part no. 7 -1 pcs/St.

Part no. 8 -2 pcs/St.

Part no. 9 -2 pcs/St.

Fittings/Beschläge/Quincaillerie

Assembly instruction /Instruction/Montage

Colli 4/4 :

Part no. 1/TOP -1 pcs/St.

Part no. 1/BOTTOM -1 pcs/St.

Part no. 5 -2 pcs/St.

Part no. 7 -4 pcs/St.

