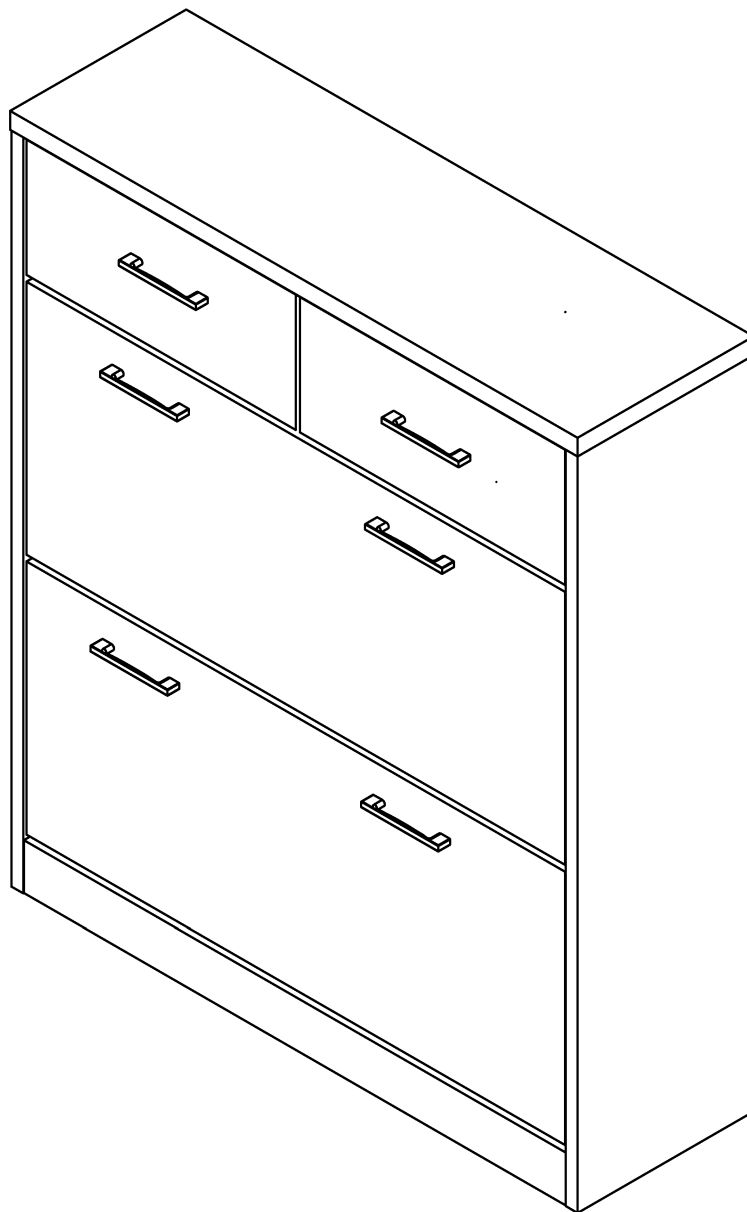


ITEM : 6085

SIZE : 870W X 360D X 968H

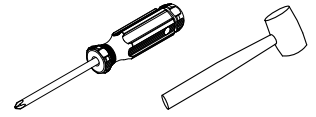


# ASSEMBLY INSTRUCTIONS

**CAUTION :**

- BEFORE ASSEMBLING, READ ALL THE INSTRUCTION.
- ENSURE ALL COMPONENTS ARE PLACE ONTO CARDBOARD AS PROTECTION.
- CLEAN SURFACE WITH A DRY OR DAMP SOFT CLOTH.
- DO NOT USE ABRASIVE CLEANERS, DETERGENT OR CHEMICAL.

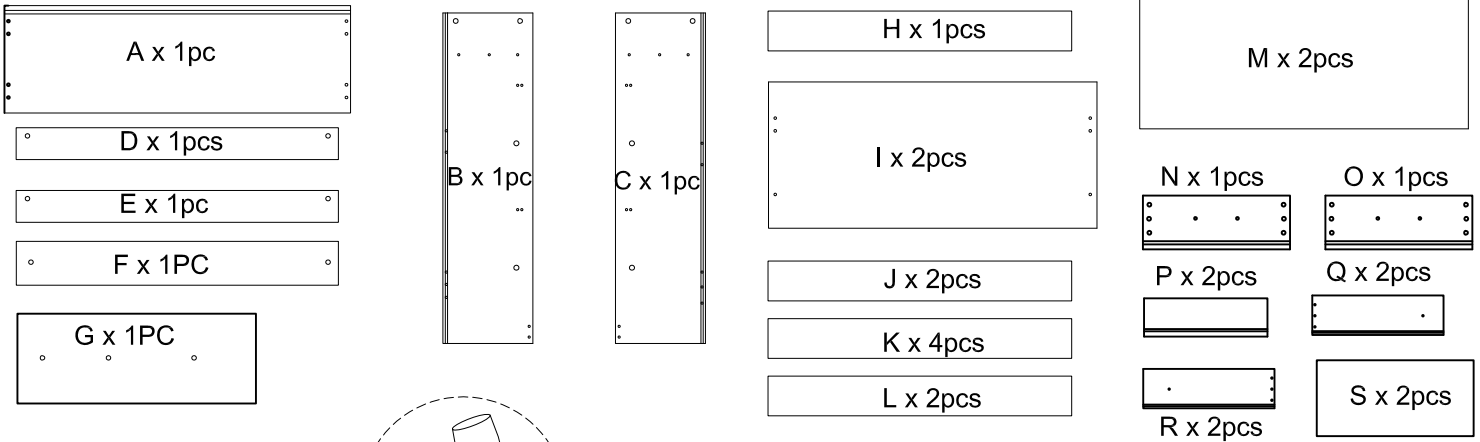
**TOOLS REQUIRED :**



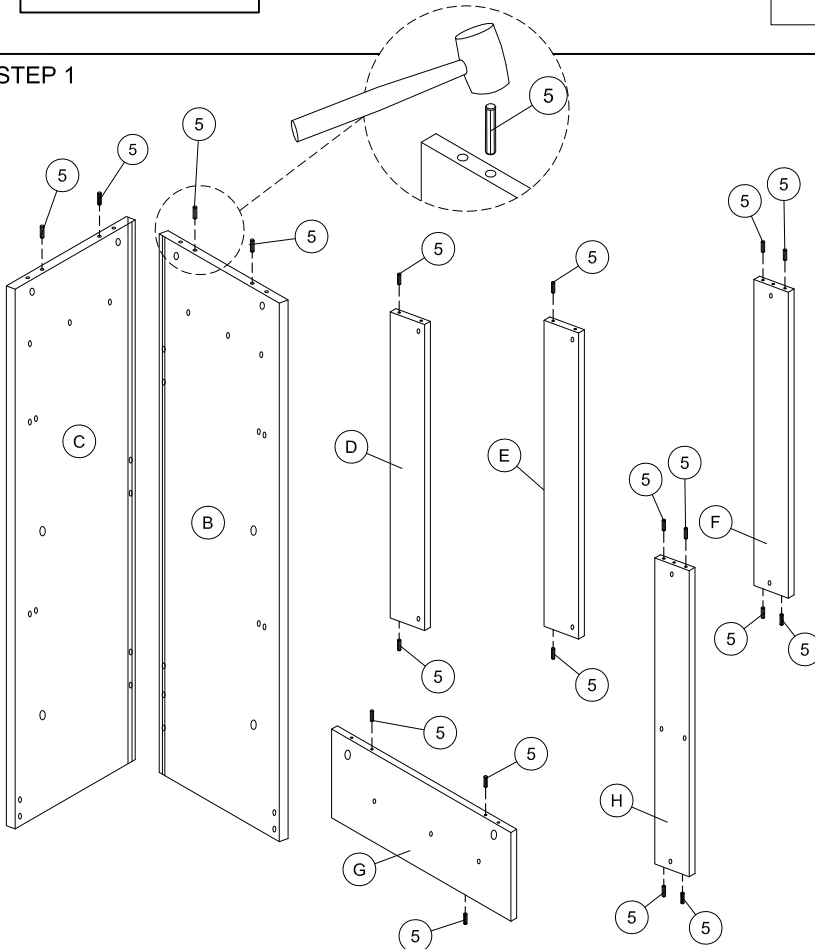
**HARDWARE :**

1	2	3	4	5	6	7	8	9	10	11
x 18 PCS	x 4 PCS	x 14 PCS	x 14 PCS	x 19 PCS	x 8 PCS	x 2 sets	CBS 3.5 X 16 x 32 PCS	x 4 pcs	x 8 PCS	x 6 PCS
12	13	14	15	16	17	18				
x 12 PCS	x 8 PCS	CBS 4 X 38mm x 10 PCS	x 2 sets	x 4 PCS	CBS 6 X 19 x 4 PCS	PH 4 X 12.5 x 12 PCS				

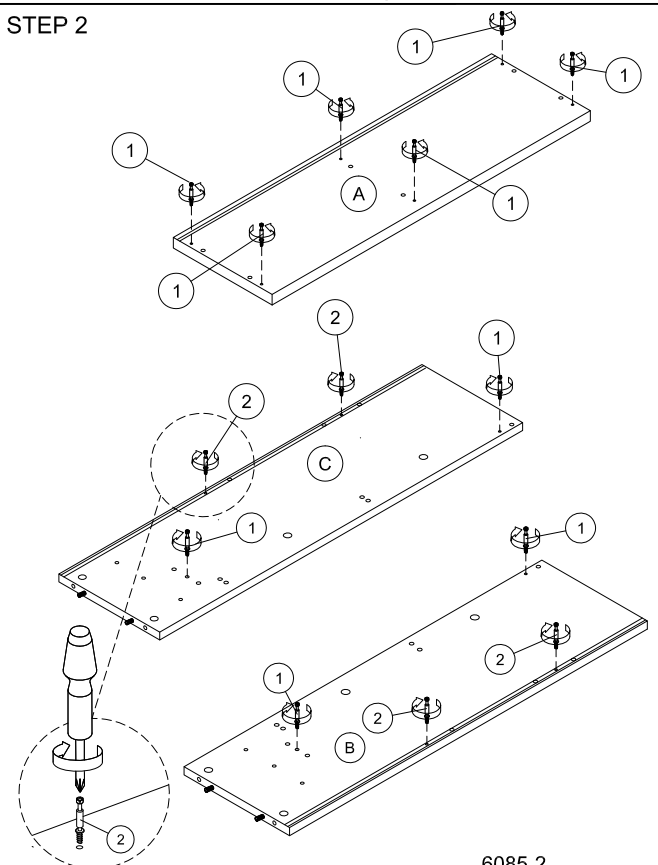
**COMPONENTS :**



**STEP 1**

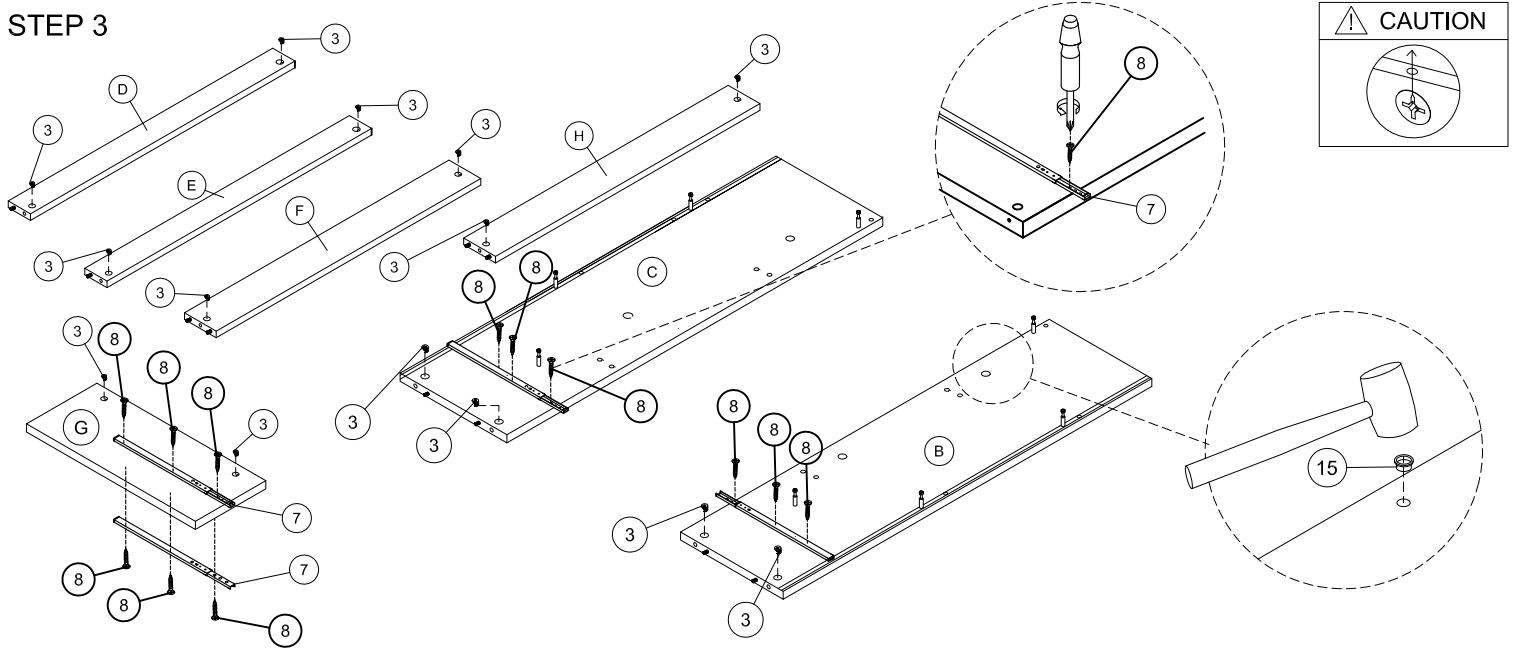


**STEP 2**

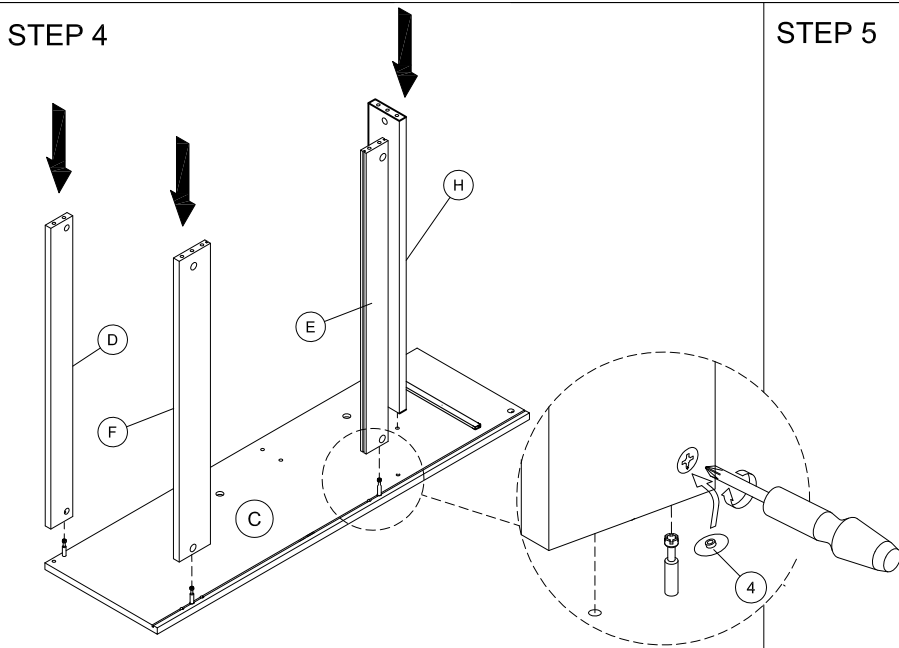


# ASSEMBLY INSTRUCTIONS

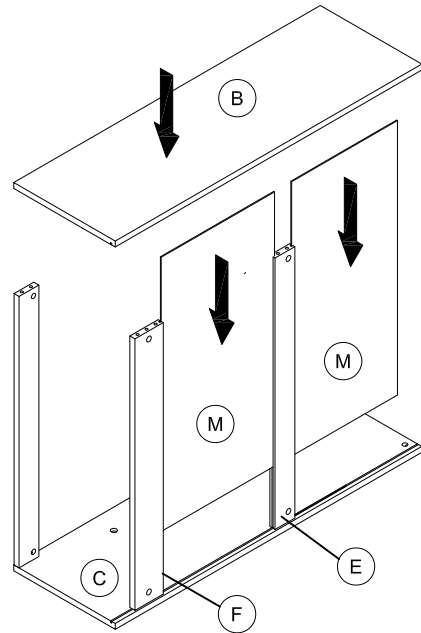
## STEP 3



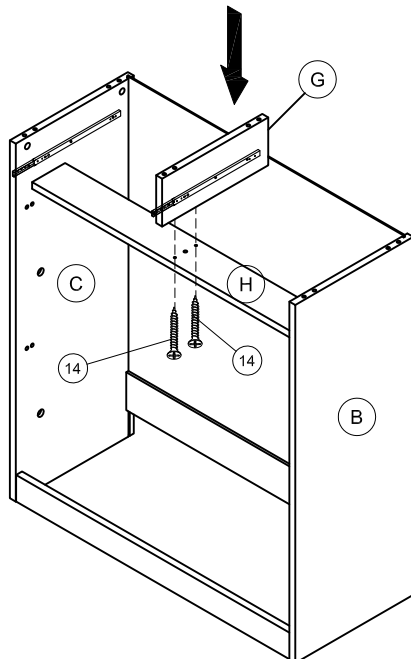
## STEP 4



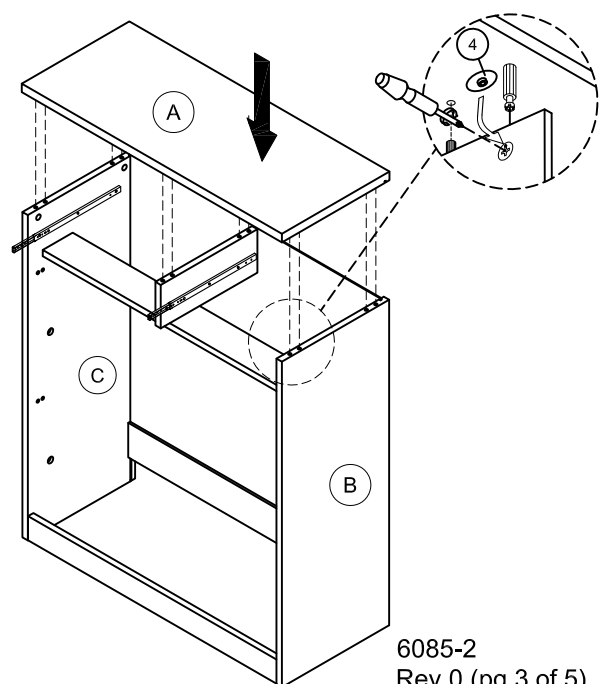
## STEP 5



## STEP 6

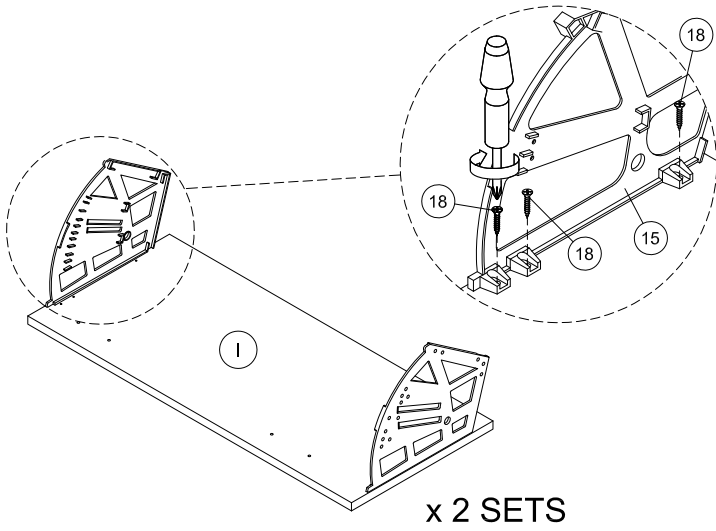


## STEP 7

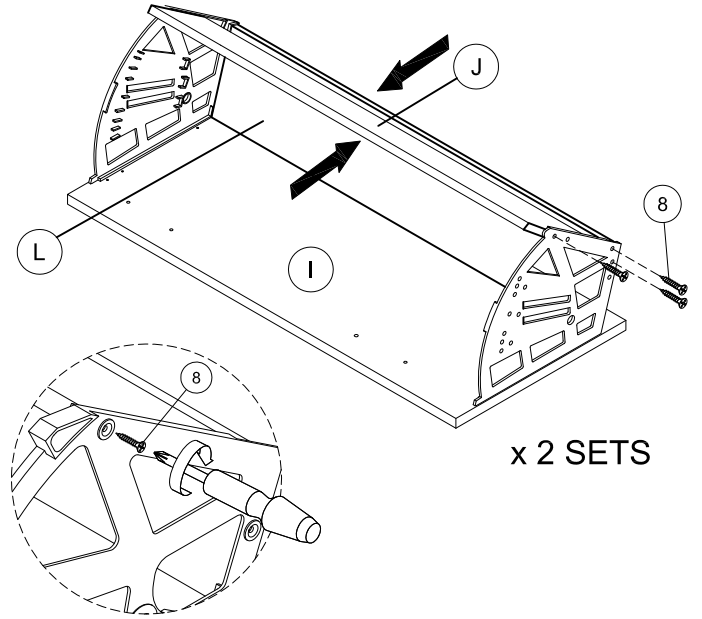


# ASSEMBLY INSTRUCTIONS

STEP 8

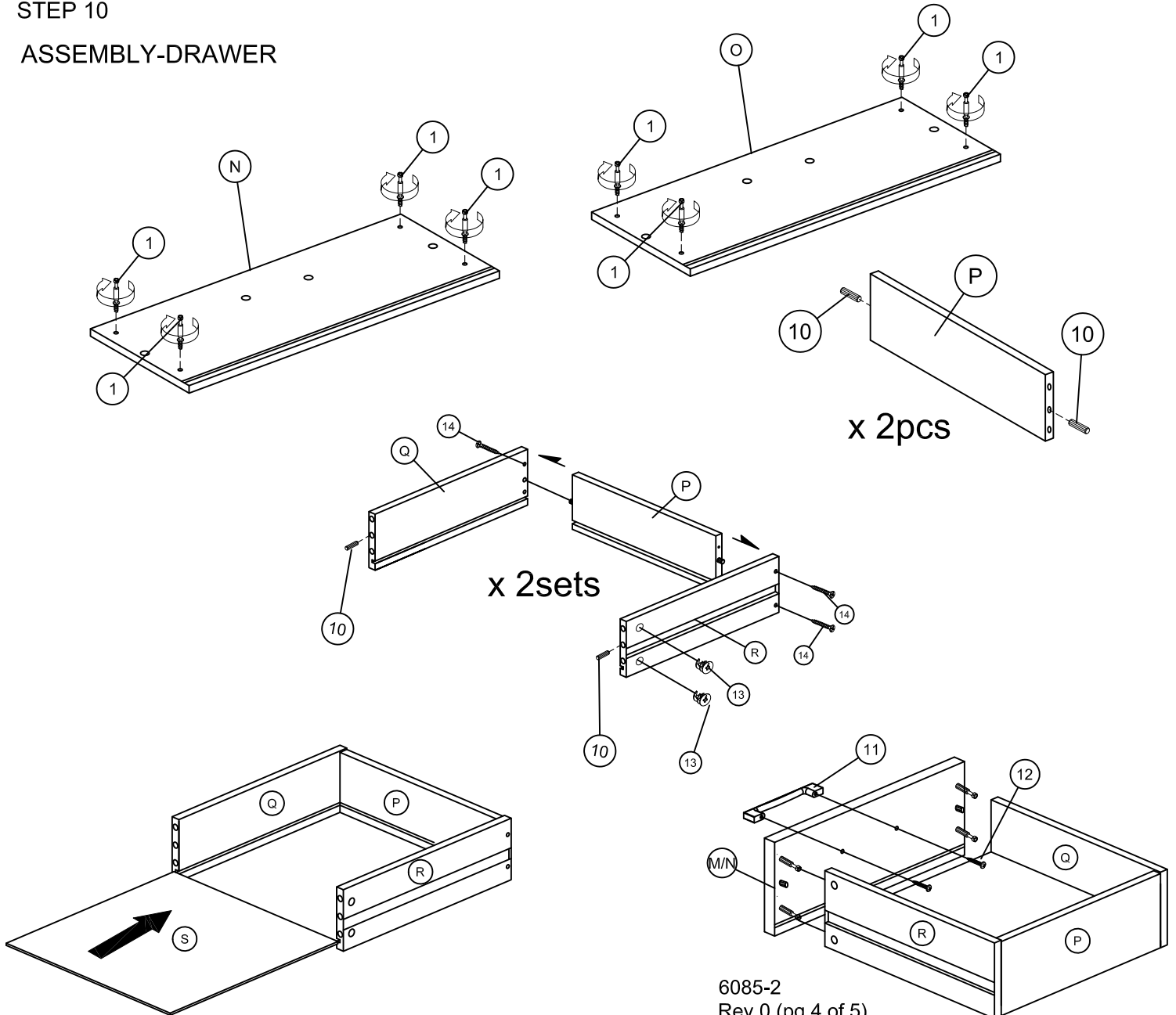


STEP 9



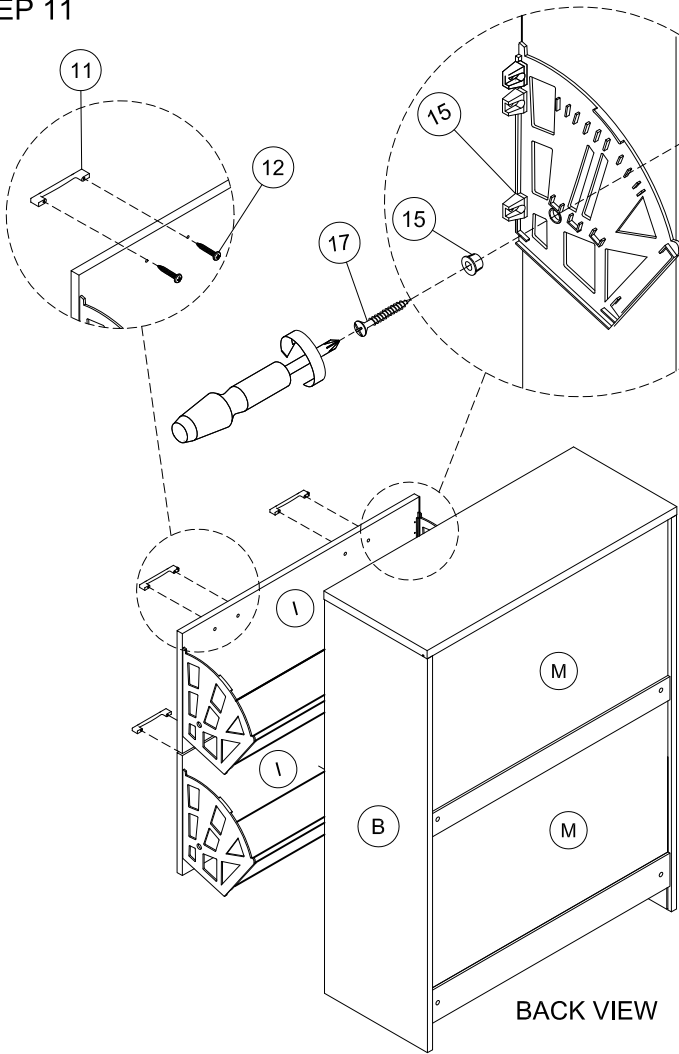
STEP 10

ASSEMBLY-DRAWER



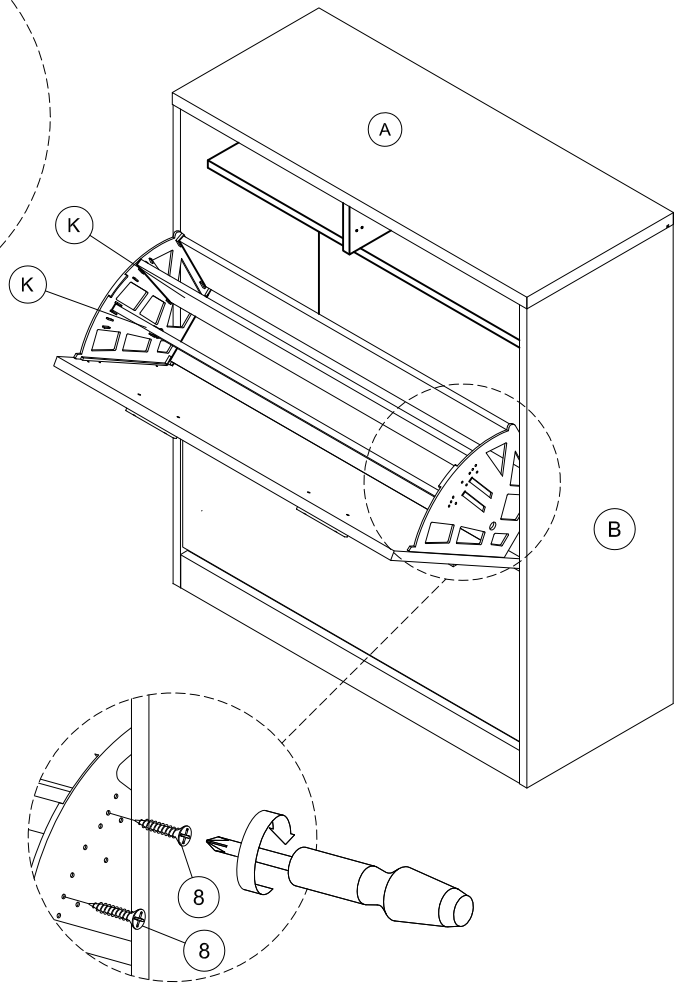
# ASSEMBLY INSTRUCTIONS

## STEP 11

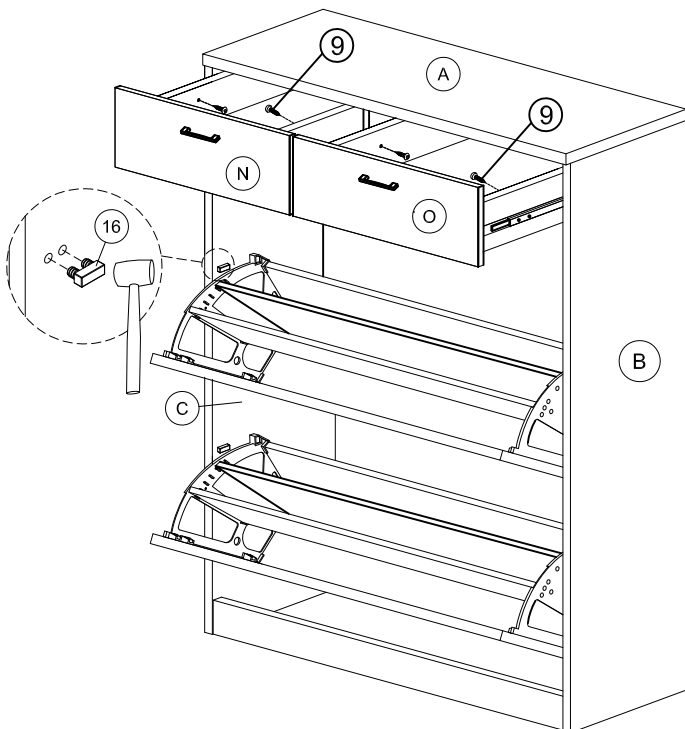


BACK VIEW

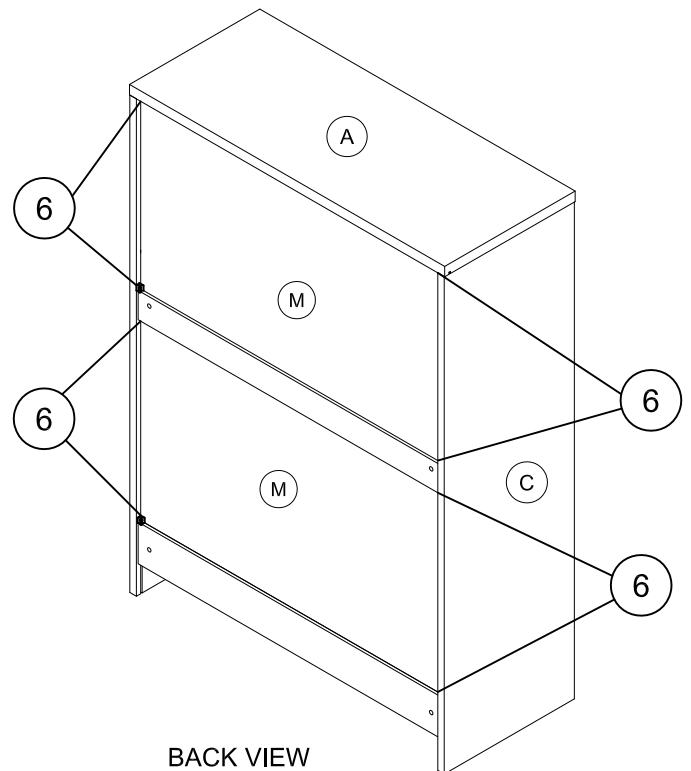
## STEP 12



## STEP 13



## STEP 14



BACK VIEW