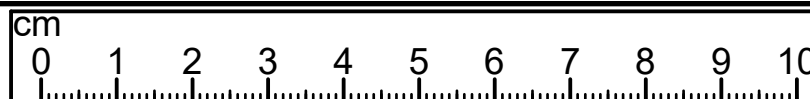
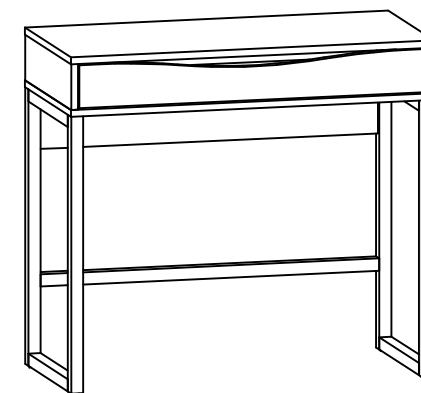


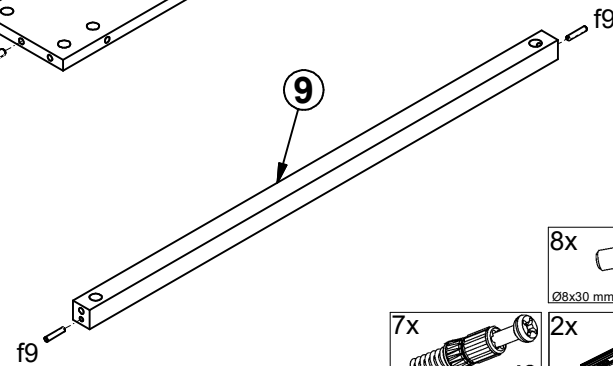
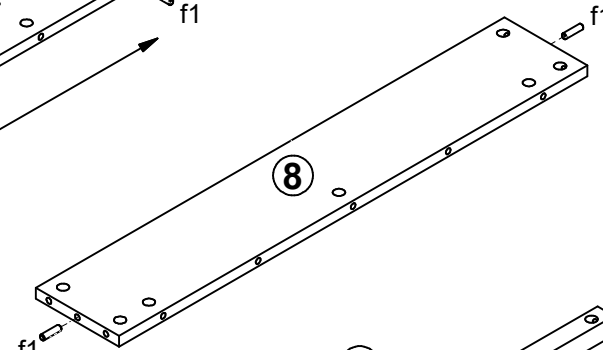
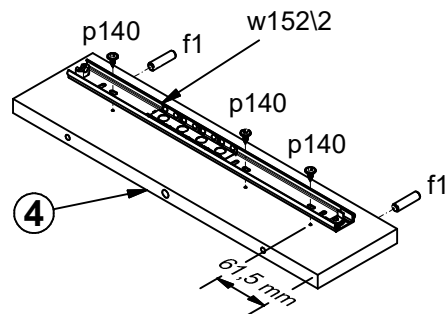
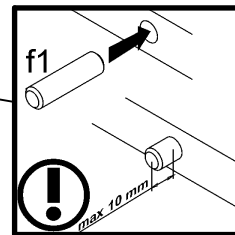
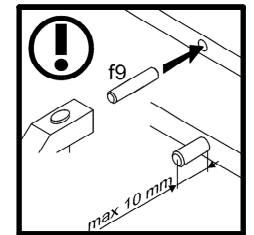
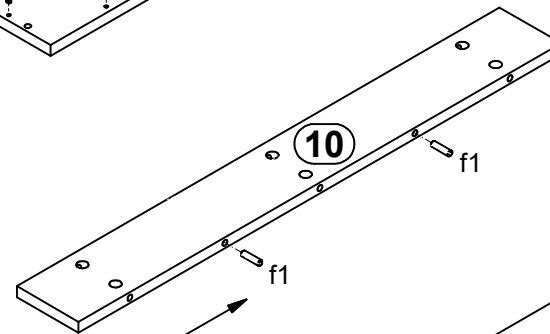
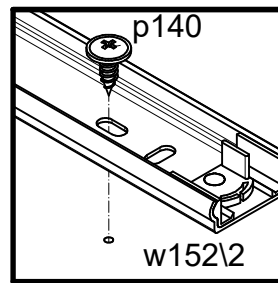
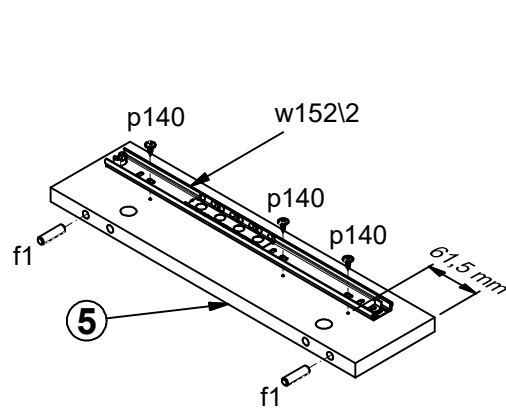
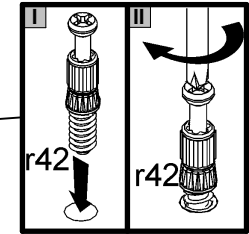
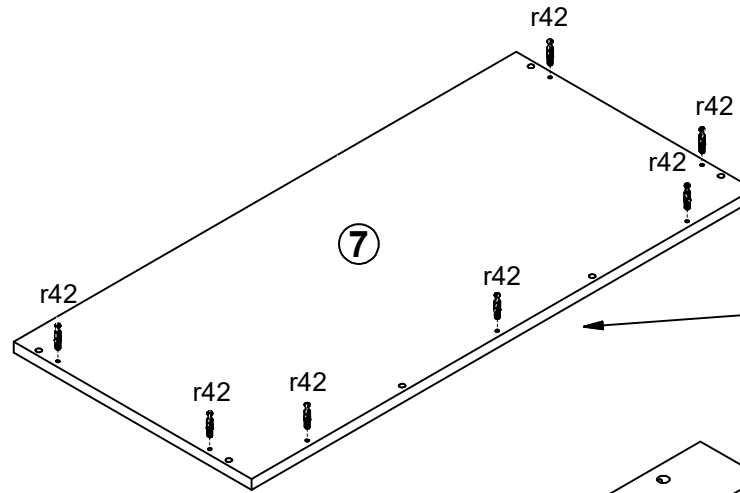
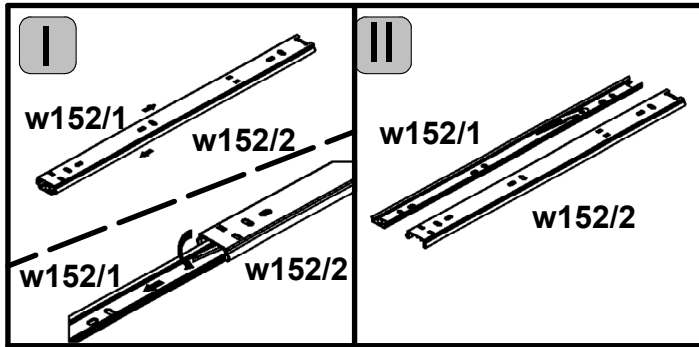
A	B	C (mm)			D
1	L87-0004	807	98	16	1/1
2	L87-1005	632	399	28	1/1
3	L87-1006	632	399	28	1/1
4	L87-1007	104	399	16	1/1
5	L87-1008	104	399	16	1/1
6	L87-2003	846	400	16	1/1
7	L87-2004	846	400	16	1/1
8	L87-4007	789	140	16	1/1
9	L87-4008	789	28	28	1/1
10	L87-4011	813	104	16	1/1
11	L87-5006	350	80	12	1/1
12	L87-5007	350	80	12	1/1
13	L87-5008	767	80	12	1/1
14	L87-9005	778	351	2,5	1/1



D
1/1

- 4x  
  
Ø7x70 mm **e27**
- 4x  
  
Ø5x50 mm **e32**
- 8x  
  
Ø8x30 mm **f1**
- 4x  
  
Ø8x50 mm **f6**
- 2x  
  
Ø6x30 mm **f9**
- 4x  
  
**k1**
- 2x  
  
Ø3,5x16 mm **p25**
- 12x  
  
Ø3,5x12 mm **p140**
- 19x  
  
Ø15x12 mm #16 **r1**
- 3x  
  
**r10**
- 4x  
  
Ø12x10,5 mm #12 **r15**
- 17x  
  
**r42**
- 1x  
  
333 mm **t19**
- 15x  
  
Ø 20mm **s68**
- 2x  
  
350/580 mm **w1521**
- 2x  
  
350/580 mm **w1522**
- 1x  
  
4 mm **z1**
- 1x  
  
**n26**
- 1x  
  
Ø3,5x16 mm **p38**

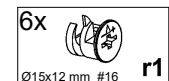
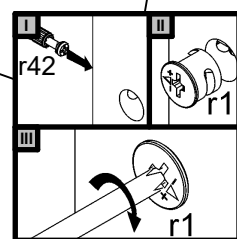
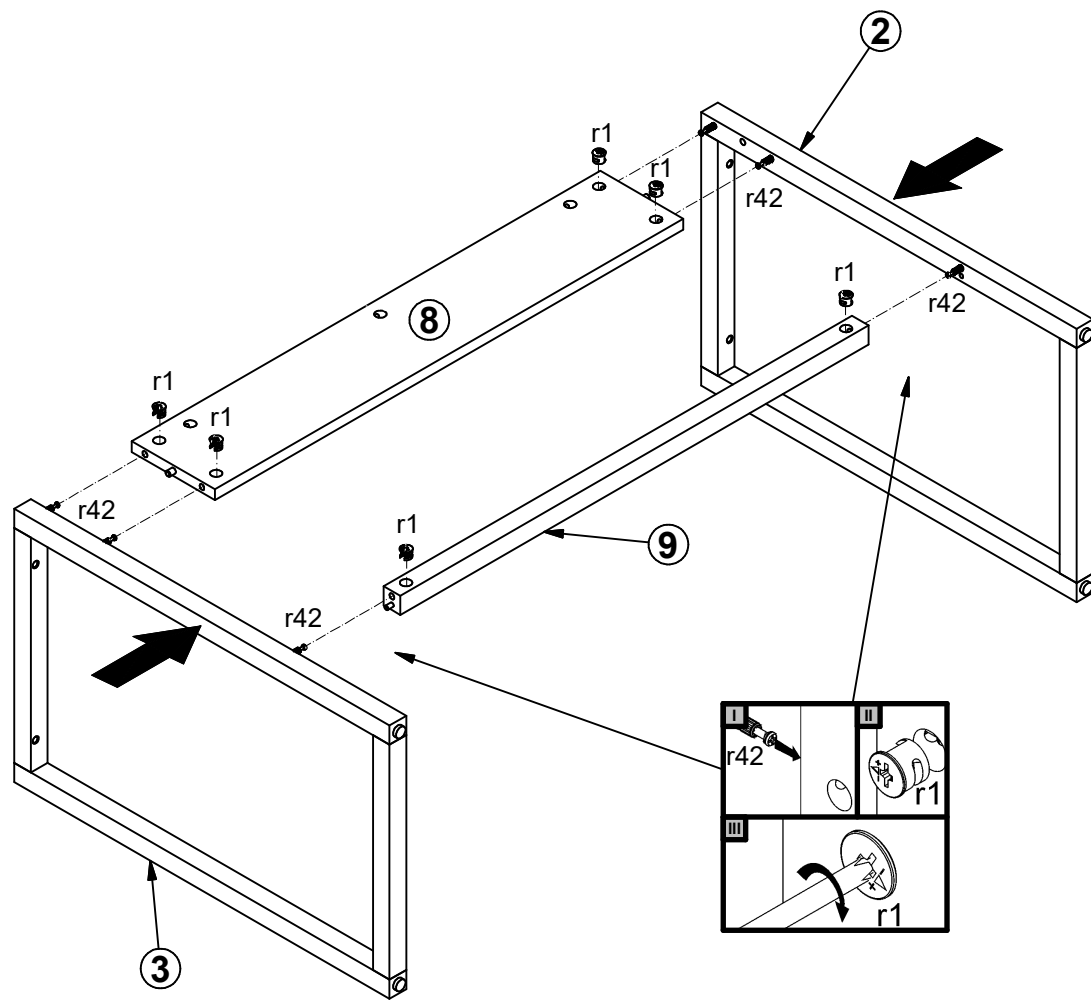
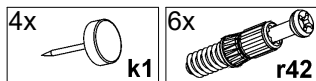
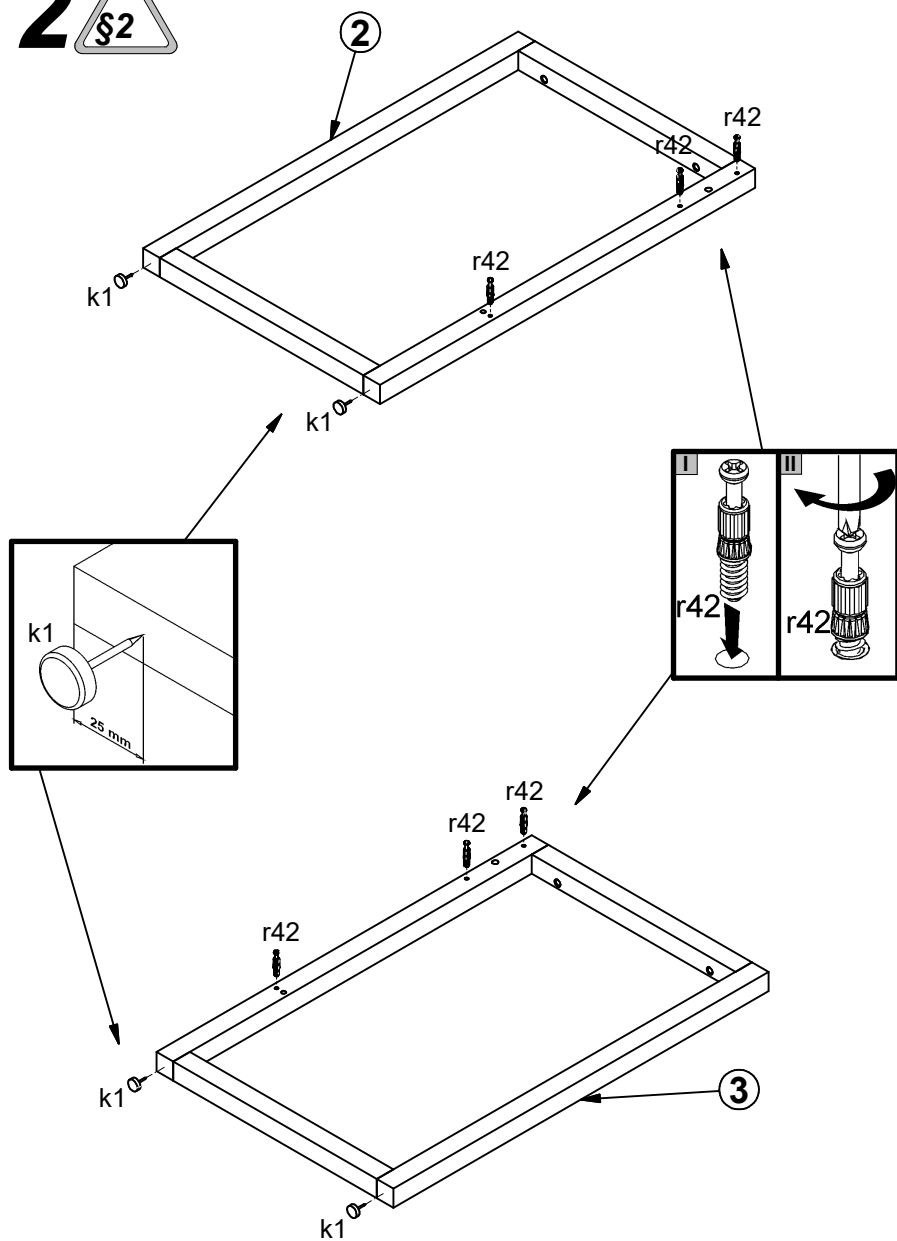
1 §2



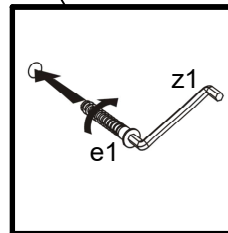
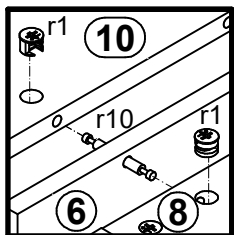
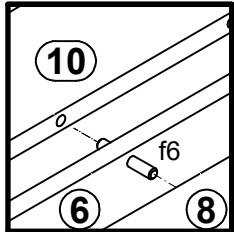
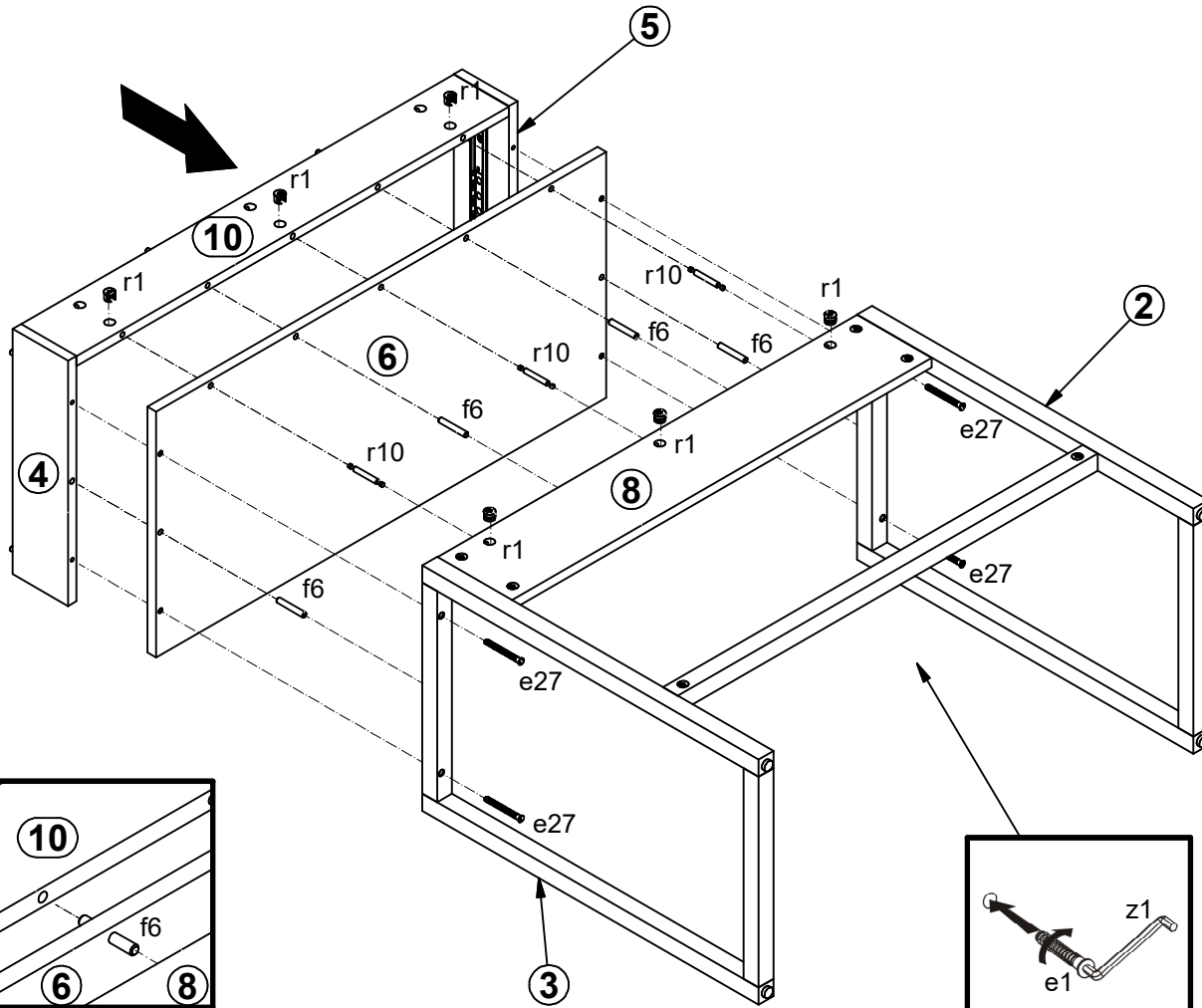
8x		2x	
	Ø8x30 mm f1		Ø6x30 mm f9
7x		2x	
	r42		L=300 mm w211/2
		4x	
			Ø3,5x12 mm p140






2 §2

3 §6

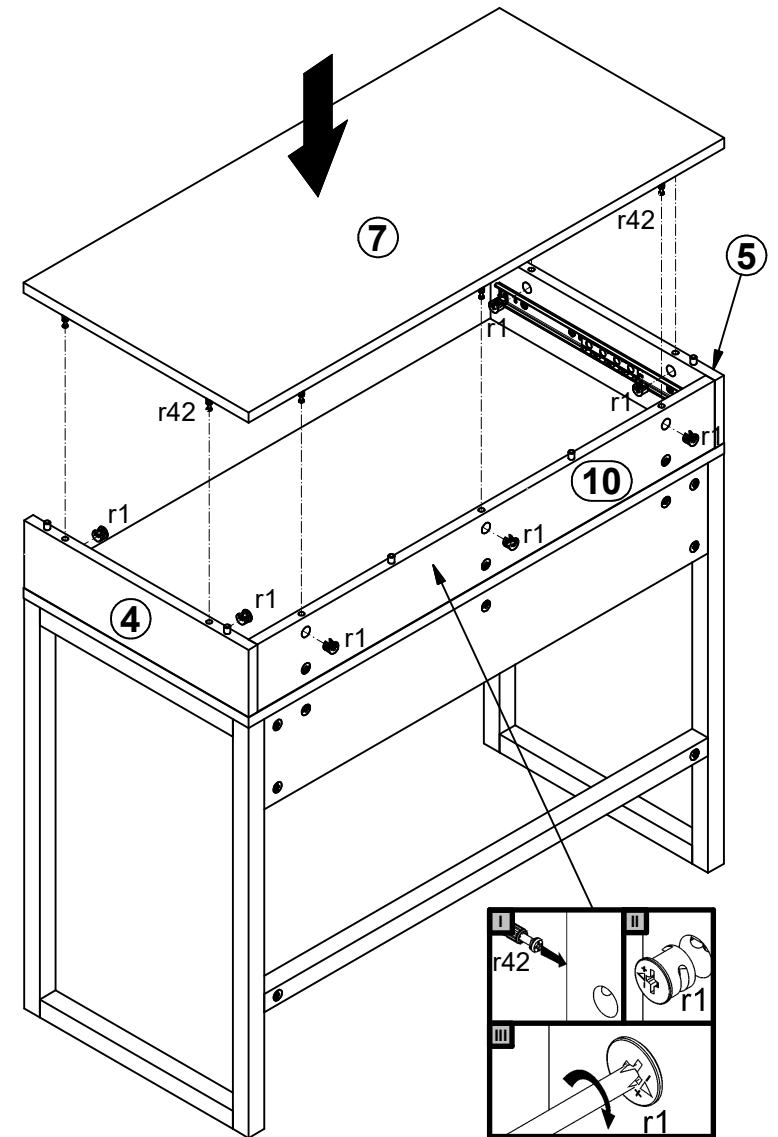



4 



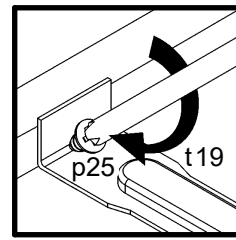
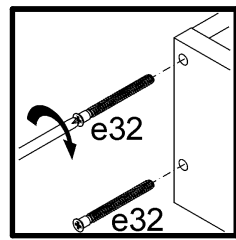
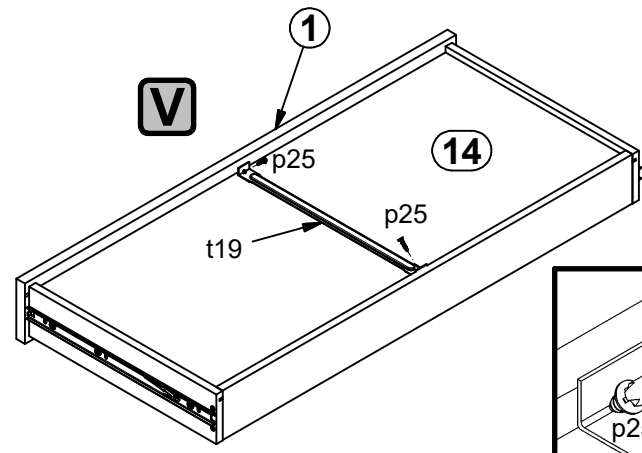
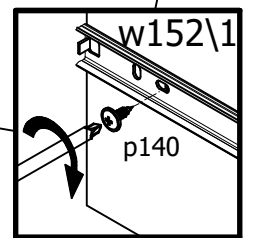
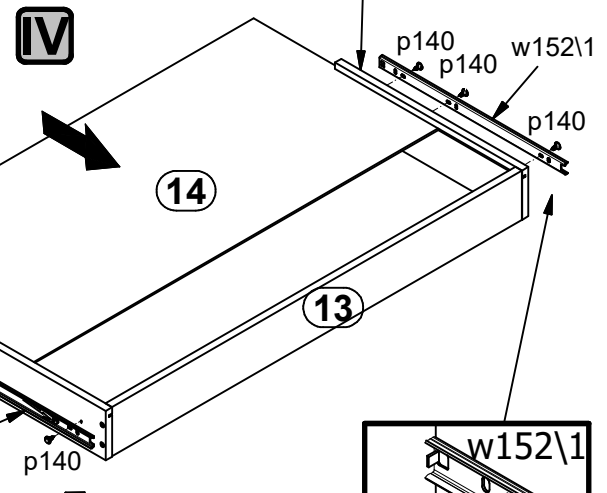
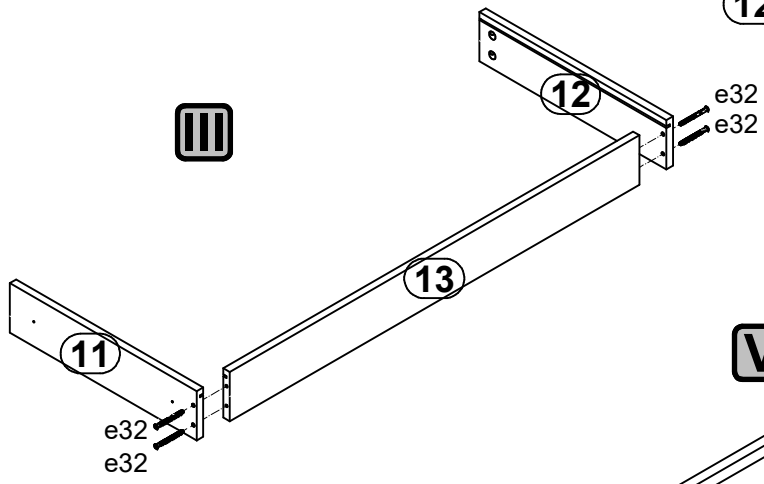
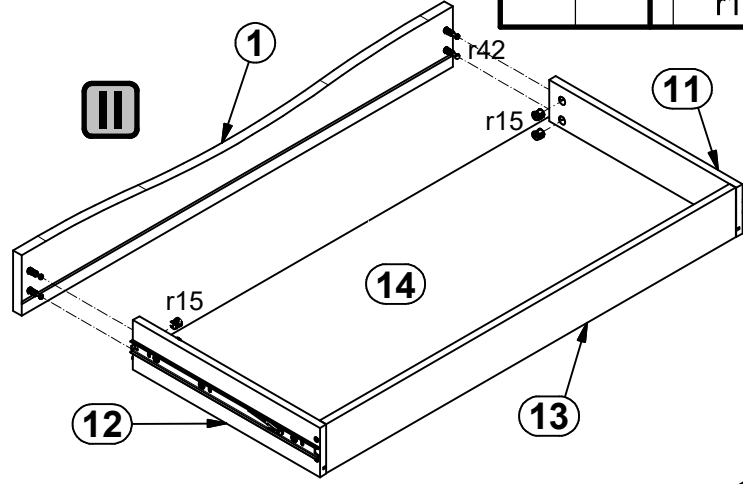
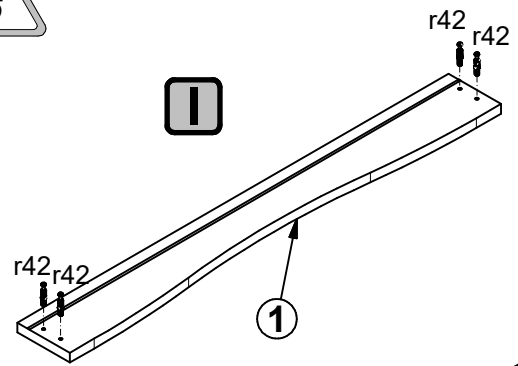
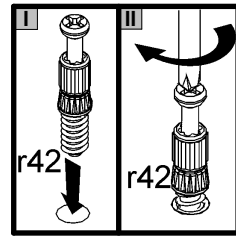
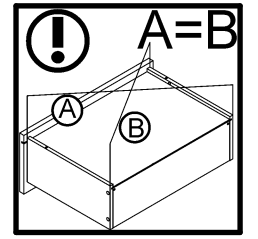
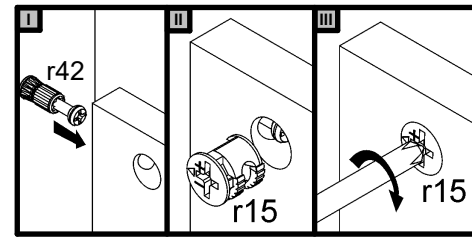
- 6x  r1  
Ø15x12 mm #16
- 3x  r10
- 4x  f6  
Ø8x50 mm
- 4x  e1  
Ø7x50 mm
- 1x  z1  
4 mm







5 



- 7x  r1  
Ø15x12 mm #16

6  



- |   |  |  |
|---|--|--|
| 4x<br><br>Ø5x50 mm e32   | 4x<br><br>r42               | 4x<br><br>Ø12x10.5 mm #12 r15 |
| 2x<br><br>Ø3.5x16 mm p25 | 2x<br><br>350/580 mm w152\1 | 6x<br><br>Ø3.5x12 mm p140     |

7 

