

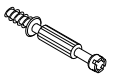


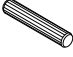
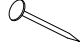
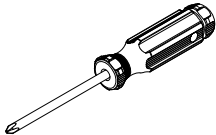
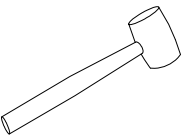
ASSEMBLY INSTRUCTIONS

CAUTION :

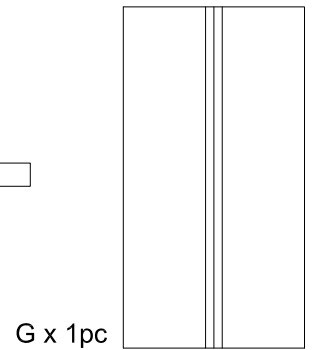
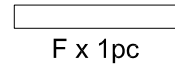
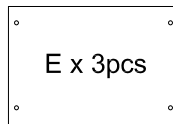
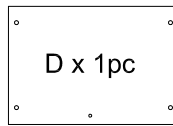
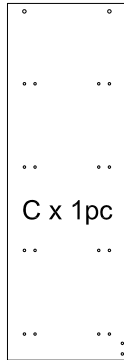
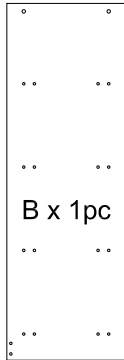
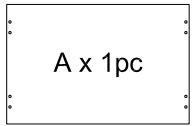
- BEFORE ASSEMBLING, READ ALL THE INSTRUCTION.
- ENSURE ALL COMPONENTS ARE PLACE ONTO CARDBOARD AS PROTECTION.
- CLEAN SURFACE WITH A DRY OR DAMP SOFT CLOTH.
- DO NOT USE ABRASIVE CLEANERS, DETERGENT OR CHEMICAL.

6120

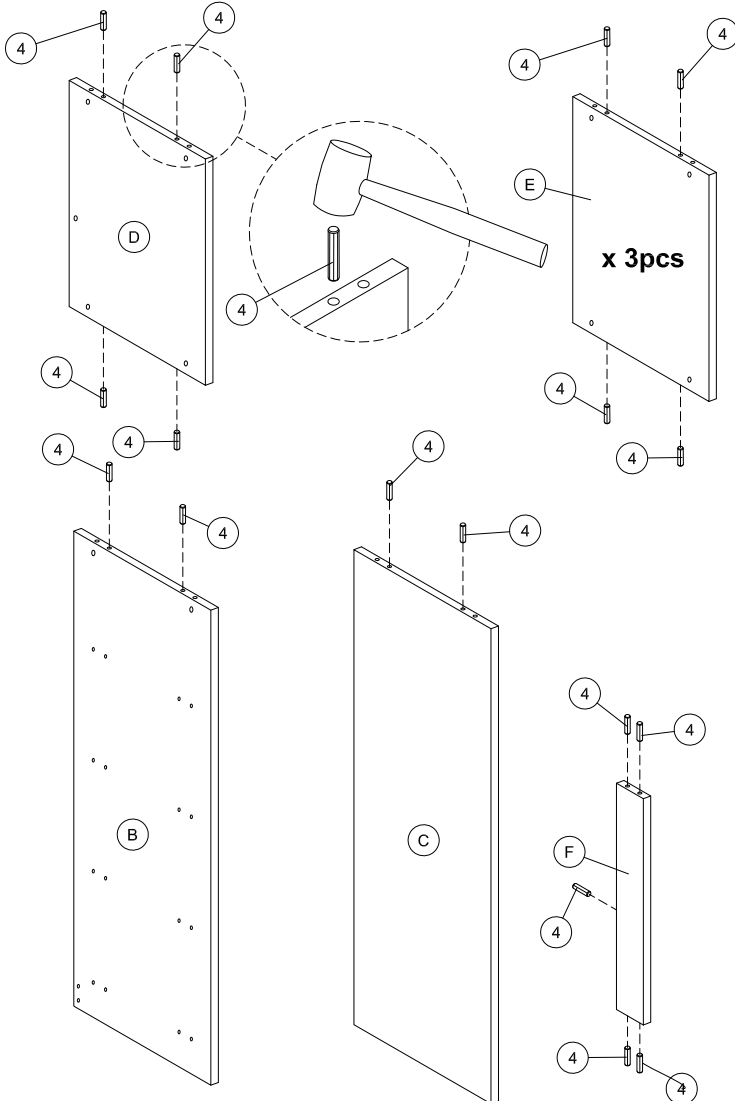
HARDWARE :

1	2	3	4	5	TOOLS REQUIRED :
					 
x 20 PCS	x 20 PCS	x 20 PCS	x 25 PCS	x 38 PCS	

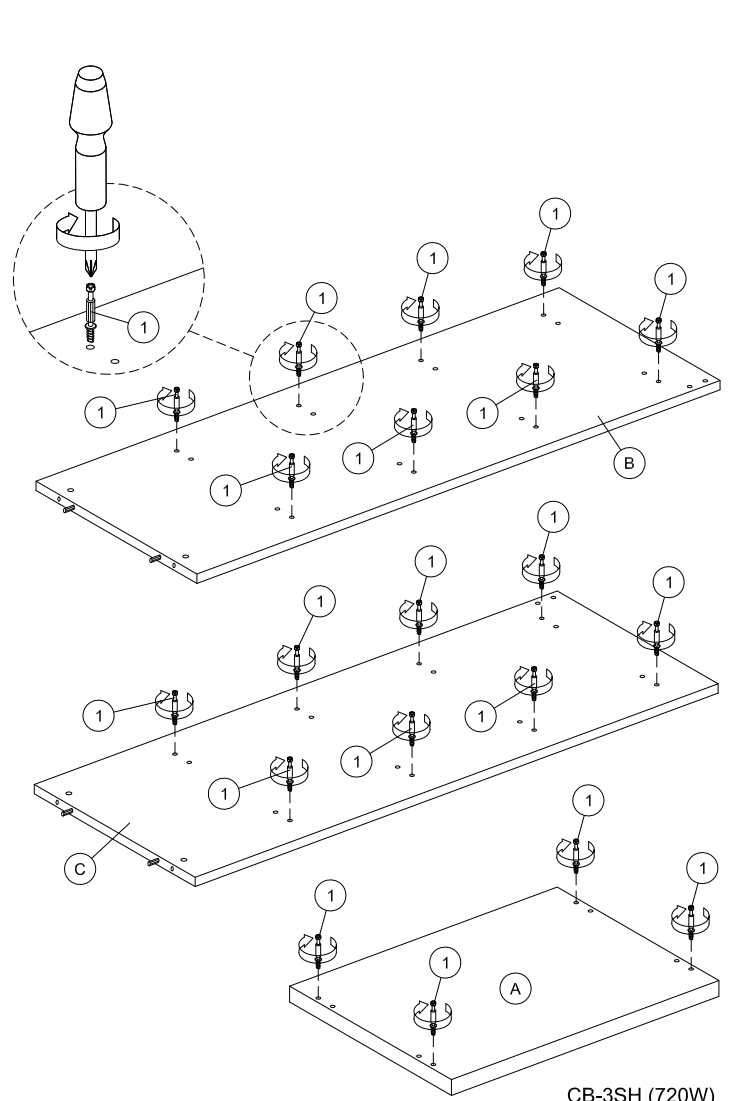
COMPONENTS :



STEP 1

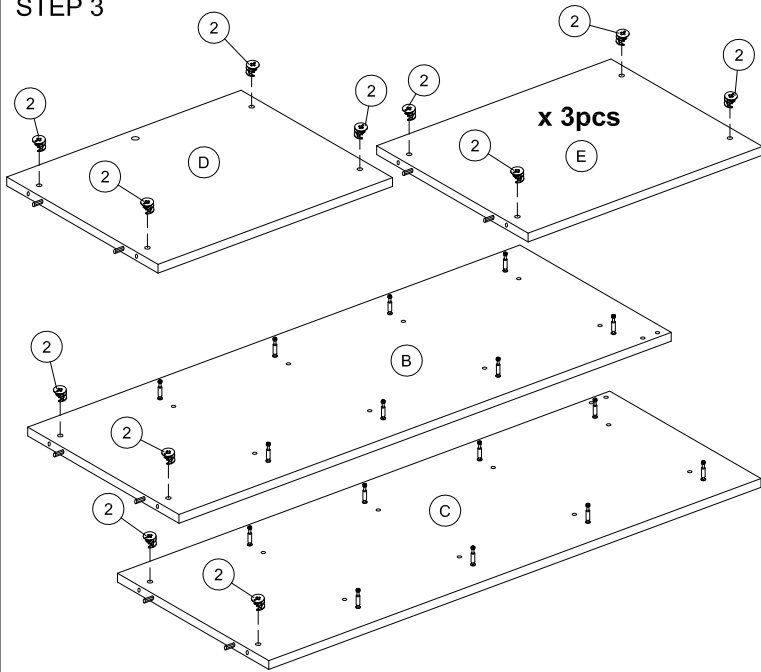


STEP 2

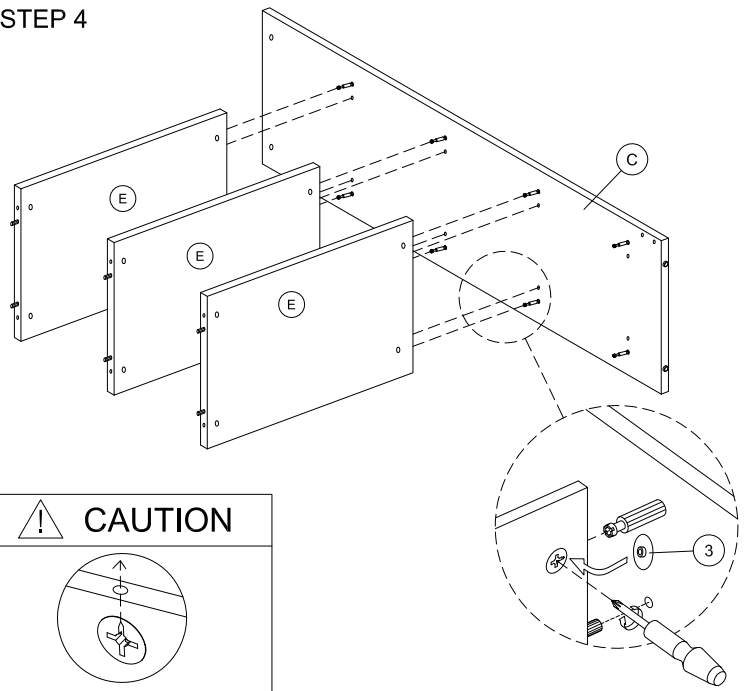


ASSEMBLY INSTRUCTIONS

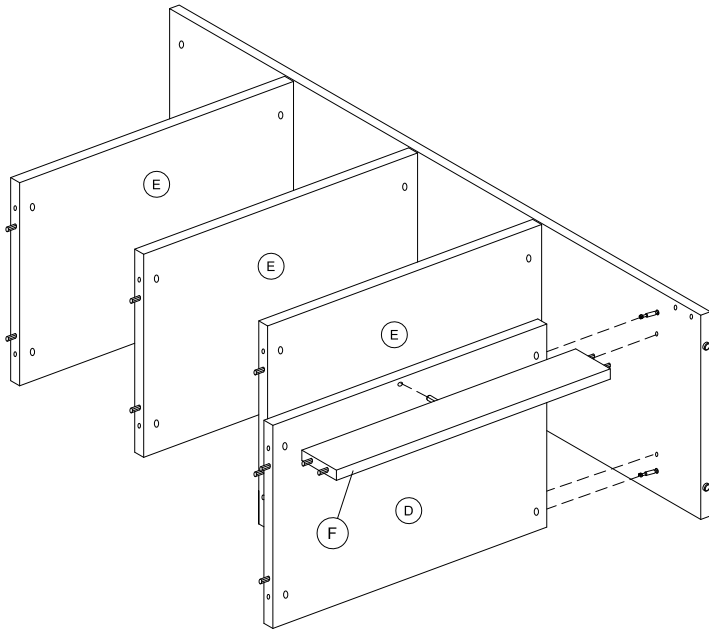
STEP 3



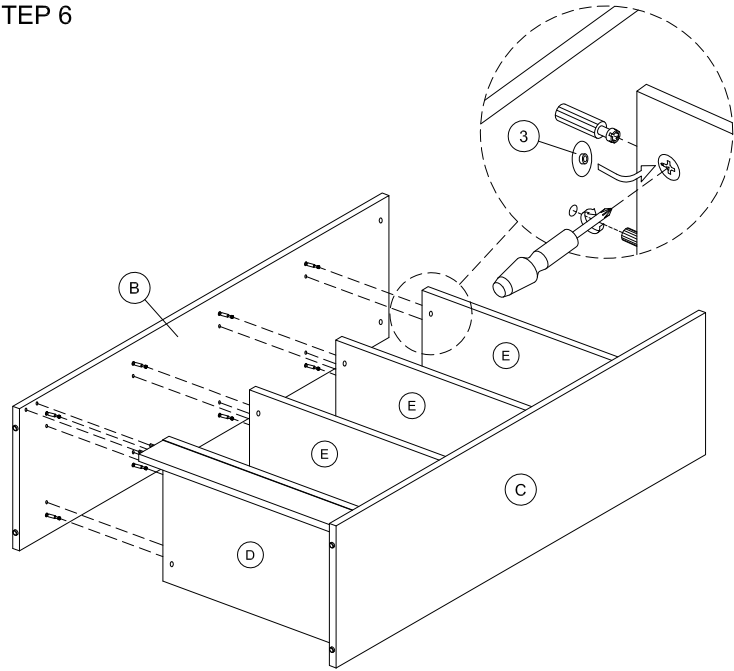
STEP 4



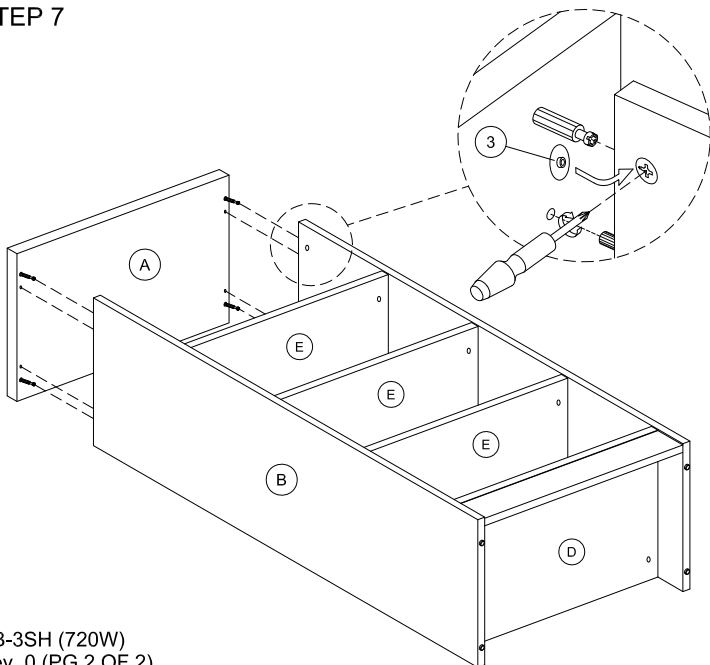
STEP 5



STEP 6



STEP 7



STEP 8

