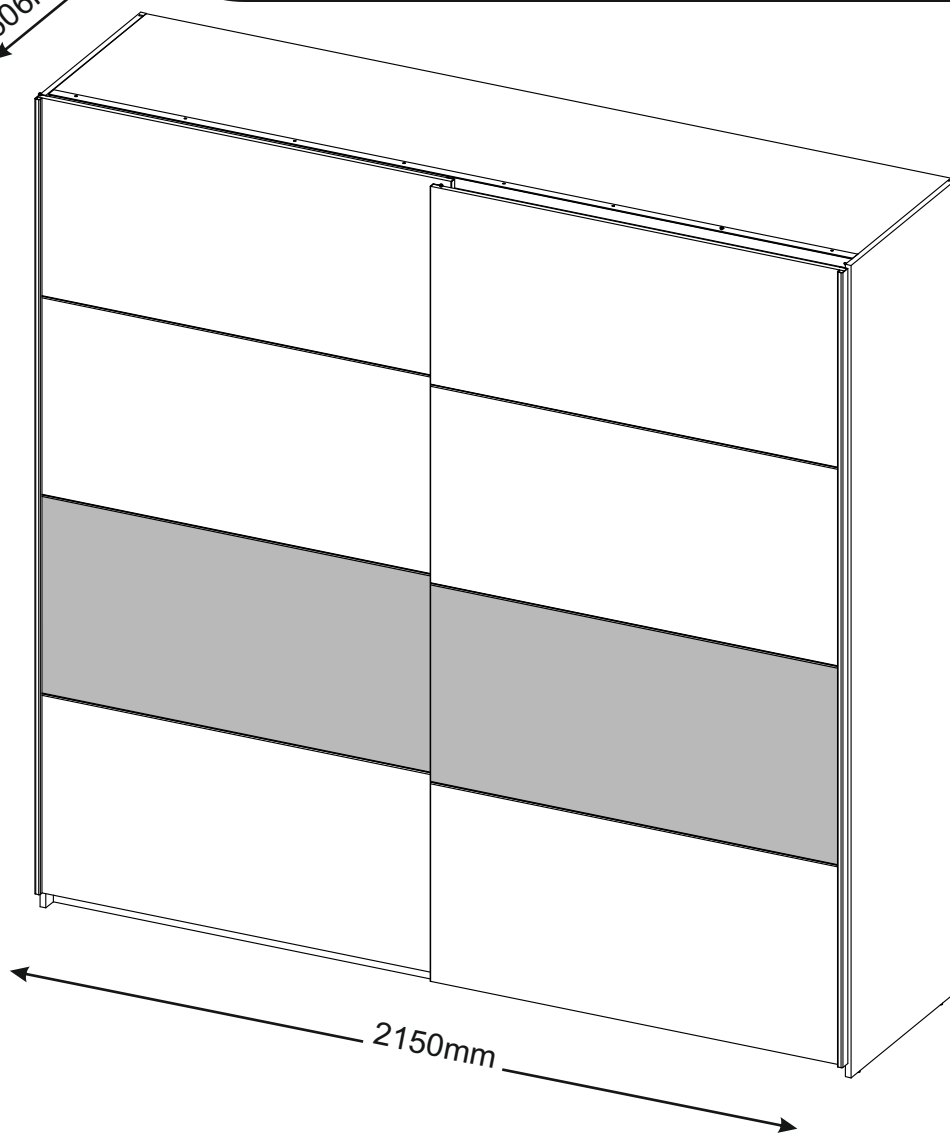
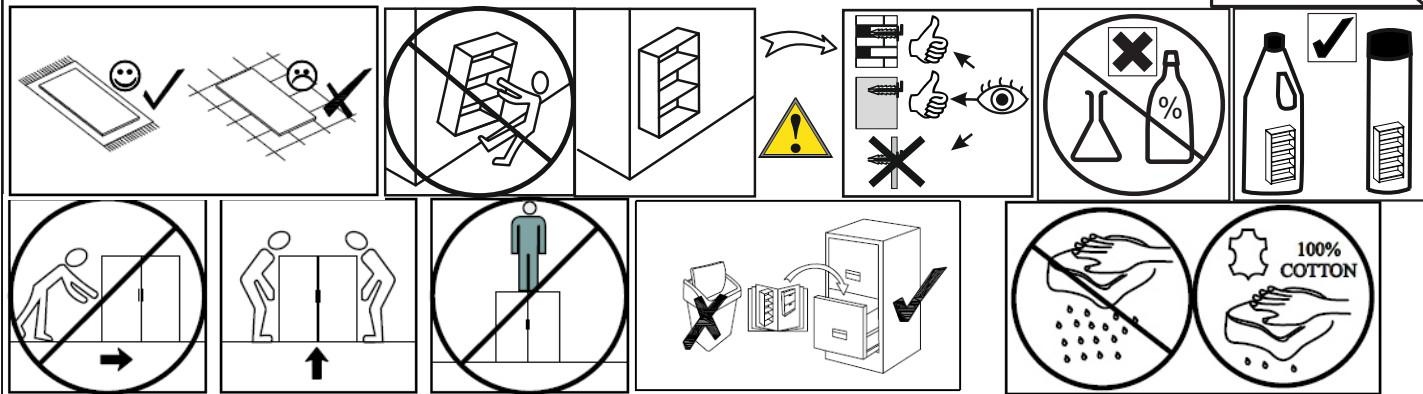
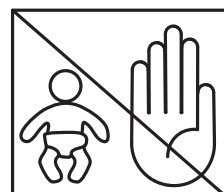
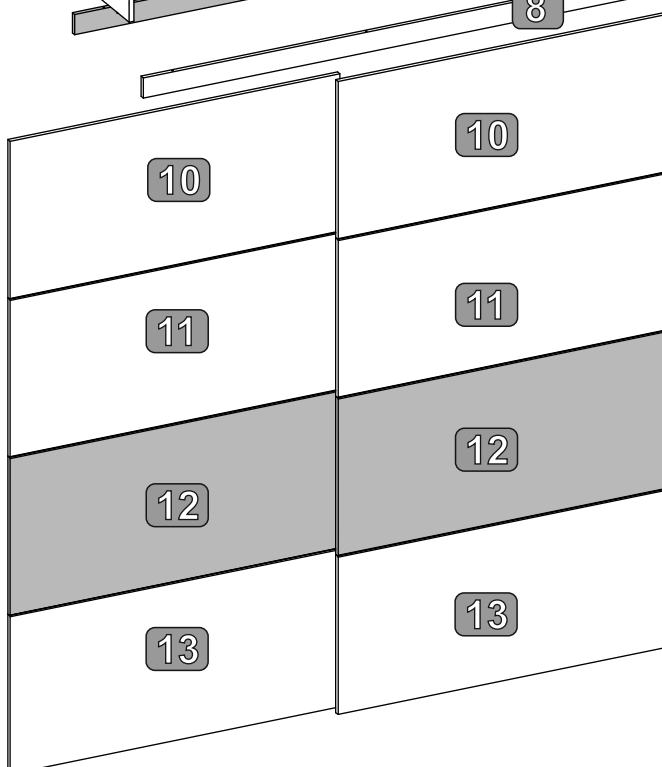
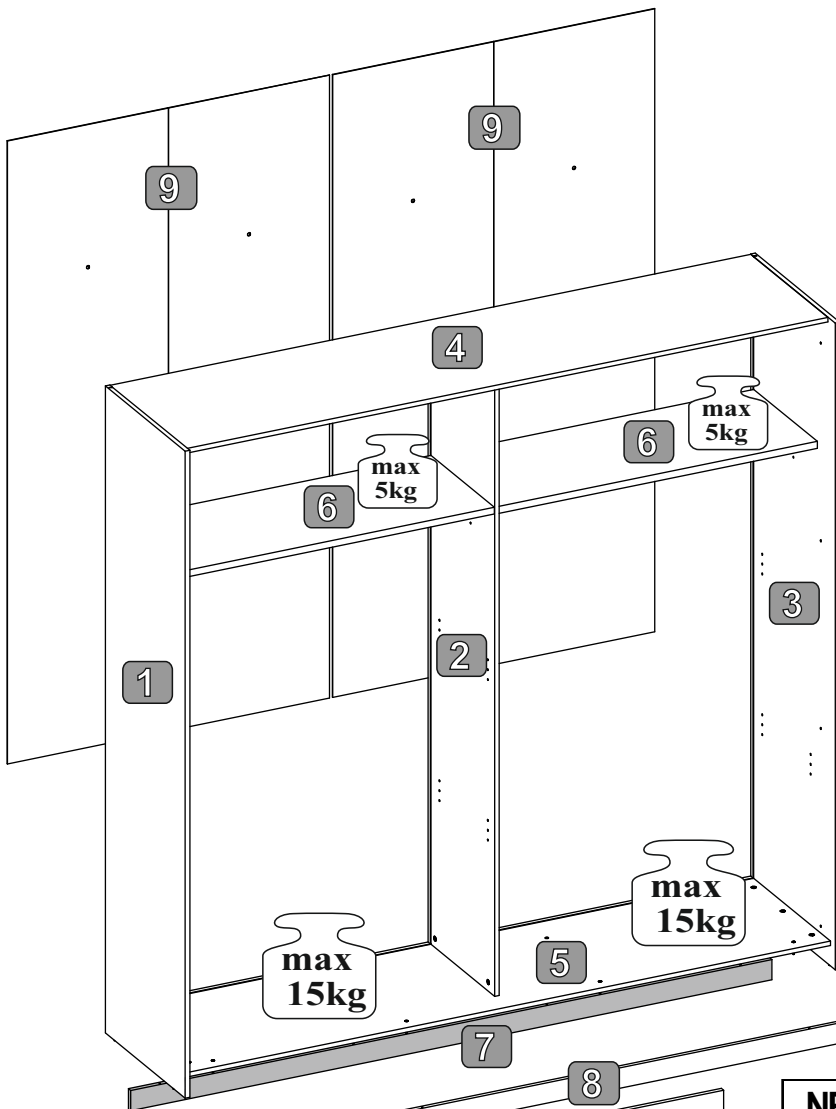


606mm
2100mm

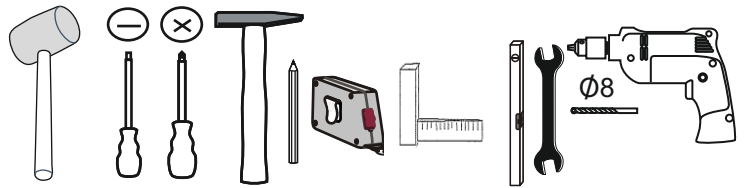
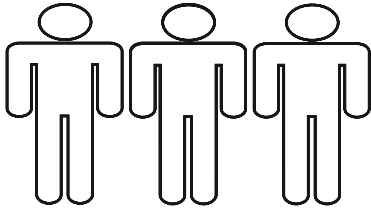


2150mm



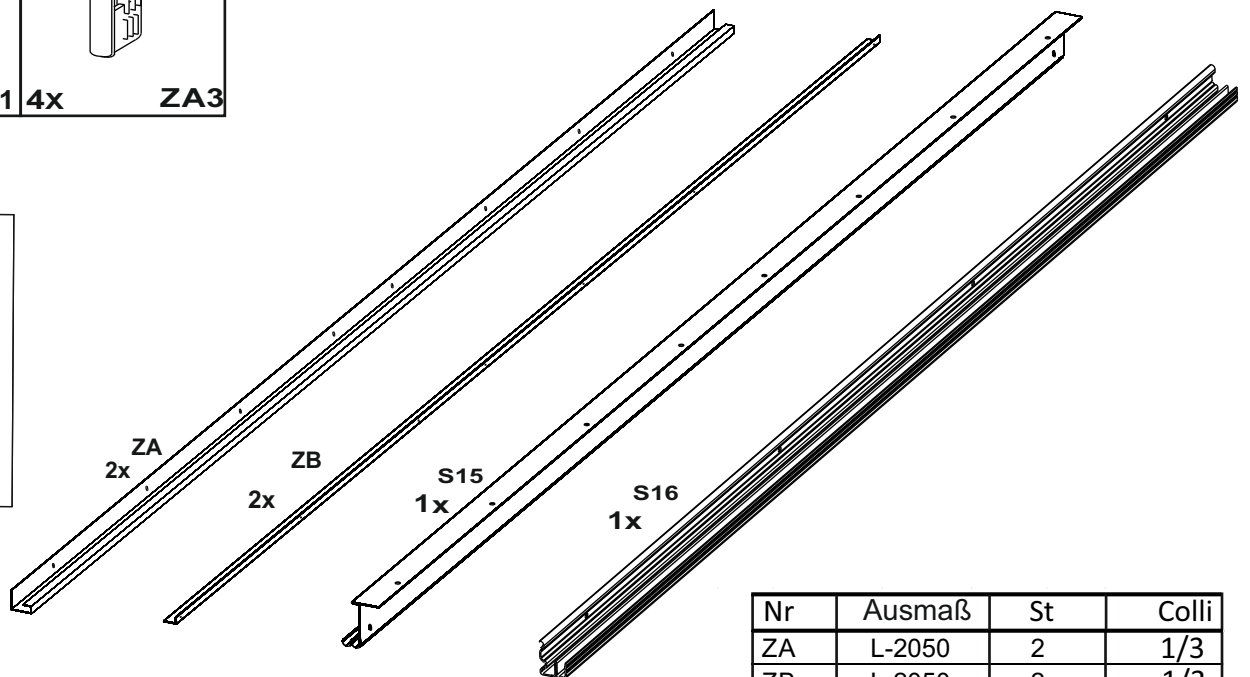
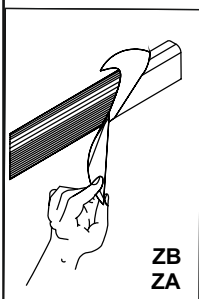


NR	DIM	QTE	COLLI
1	2095x529x15	1	2/3
2	1998x440x15	1	2/3
3	2095x558x15	1	2/3
4	2120x510x15	1	1/3
5	2120x526x15	1	1/3
6	1052,5x420x22	2	1/3
7	2120x66x15	1	1/3
8	2120x66x15	1	1/3
9	2017x1065x2	2	2/3
10	1090x512,5x15	2	3/3
11	1090x512,5x15	2	3/3
12	1090x512,5x15	2	3/3
13	1090x512,5x15	2	3/3



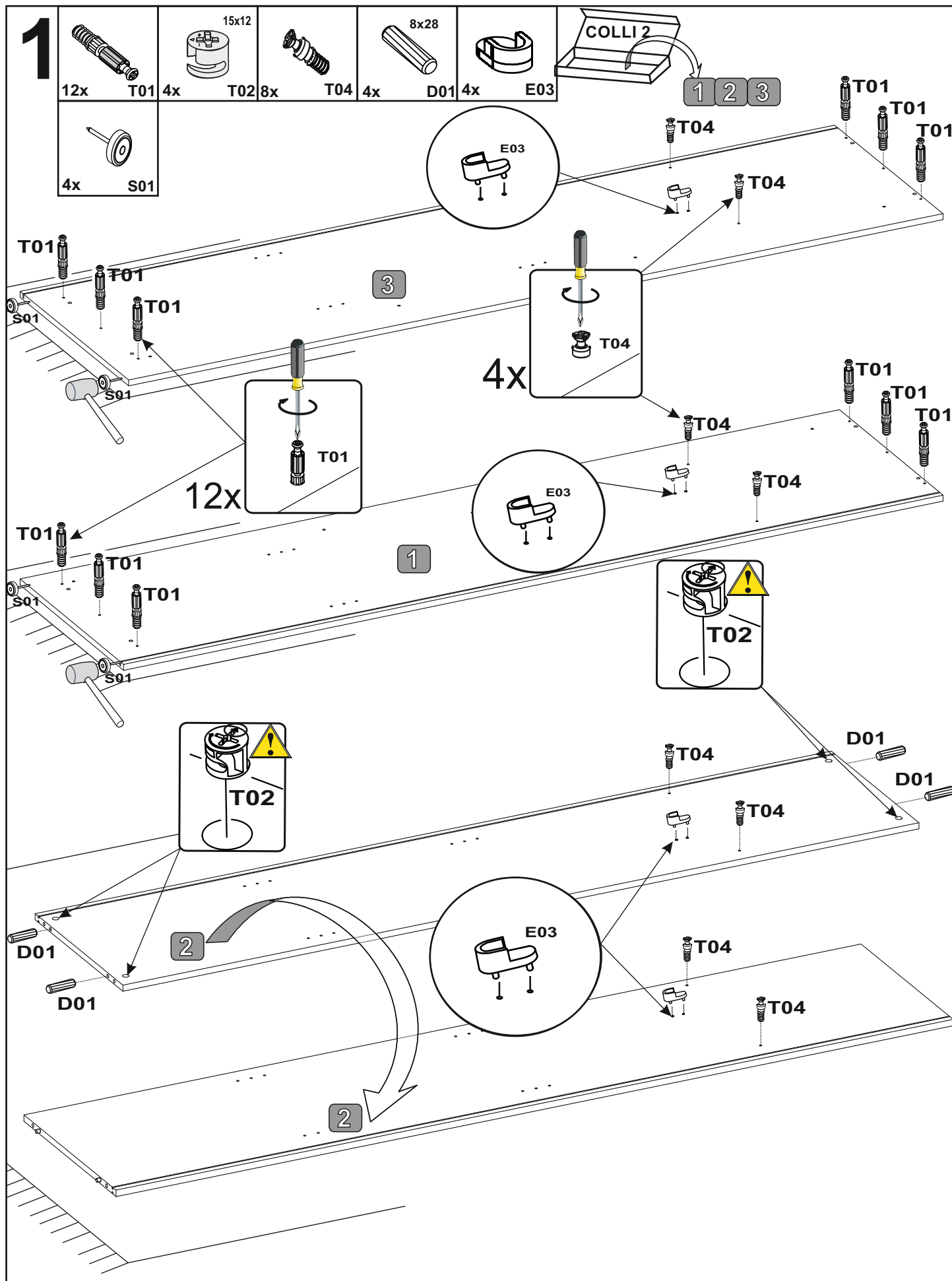
 4x E03	 L-1044 2x J01	 8x T05	 4x R02	 28x R01	 10x S01	 Ø20 16x C01
 Ø13 8x C02	 8x T04	 4x13 4x W07	 15x12 16x T02	 16x T01	 3,5x13 8x W09	 5x40 8x W16
 L3 1x K02	 8x28 12x D01	 3 x13 8x W03	 3,5x25 4x W36	 12x W08	 4x13 24x W13	 3,5x13 105x W02
 2x F01	 2x F11	 2x P01	 4x13 4x W07	 T01		

 2x S14	 2x S13	 2x S10	 2x S12	 2x W05S	 2x E05	 2x E04
 1x S11	 H-29 4x ZA3					



0 10 20 30 40 50 60 70 80 90 100

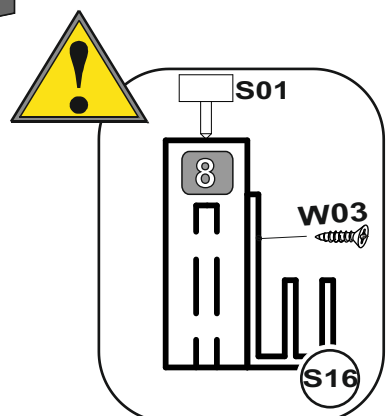
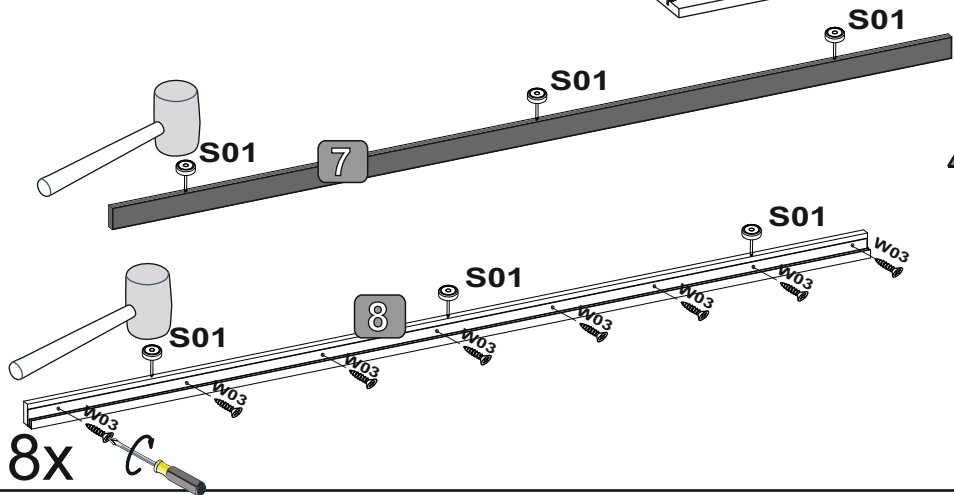
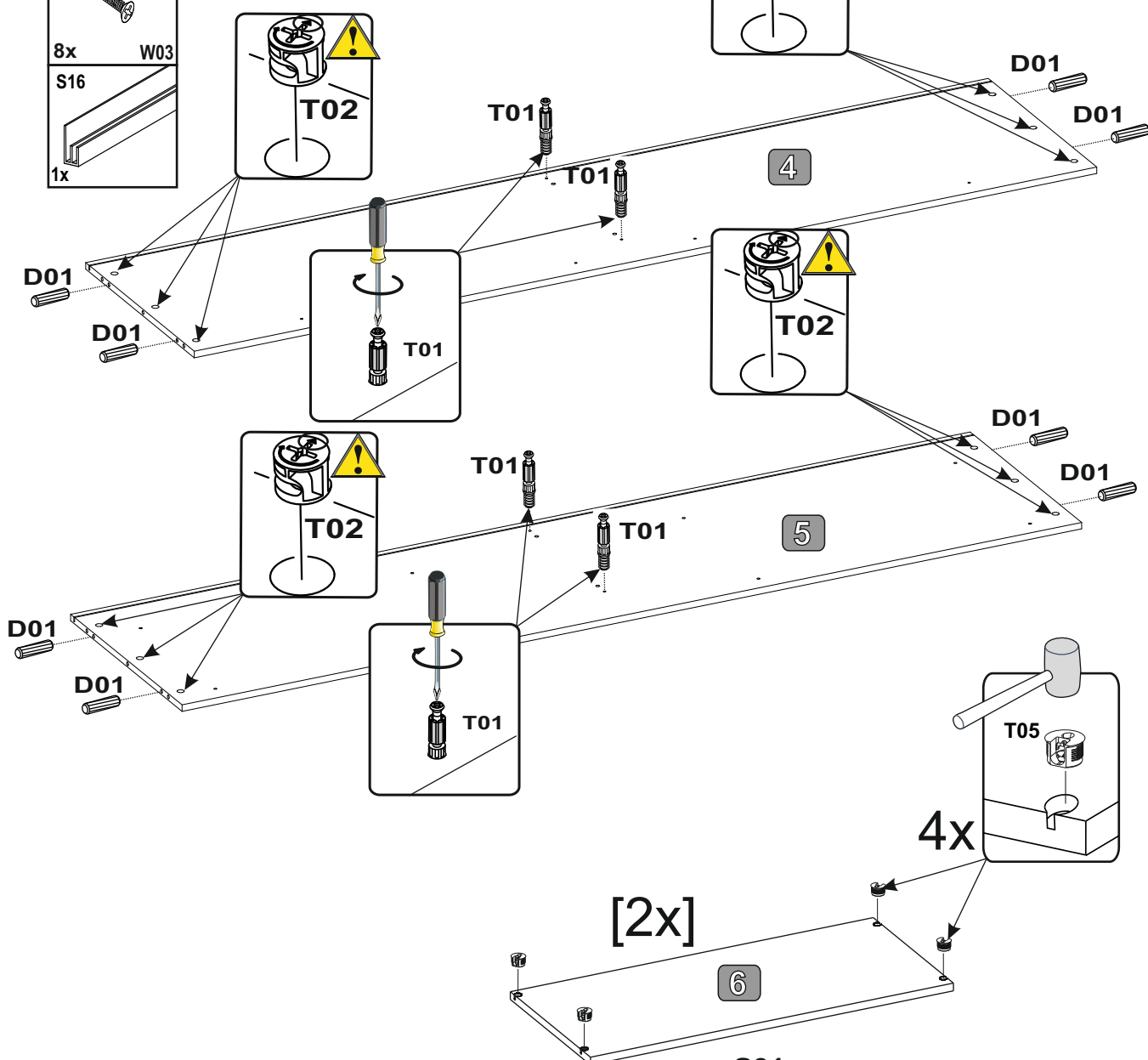
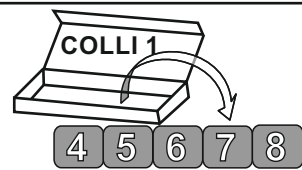
Nr	Ausmaß	St	Colli
ZA	L-2050	2	1/3
ZB	L-2050	2	1/3
S15	L-2119	1	1/3
S16	L-2119	1	1/3



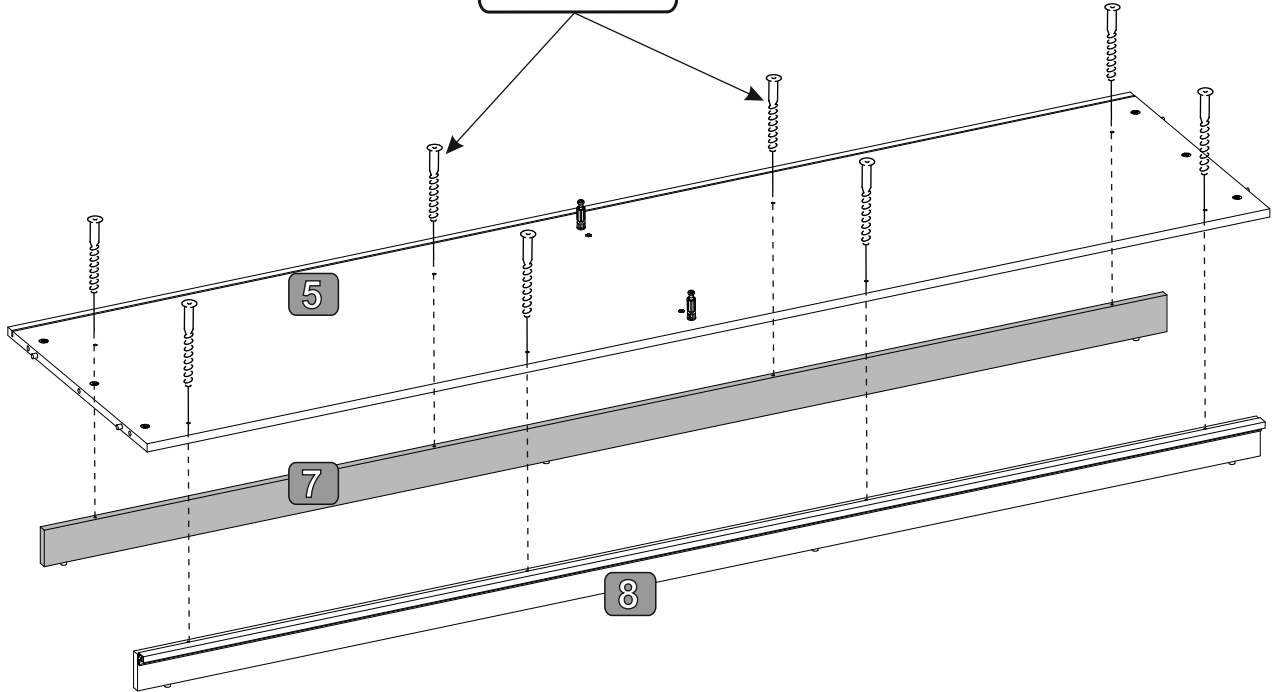
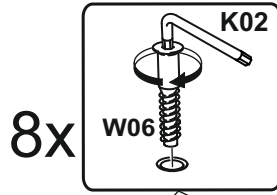
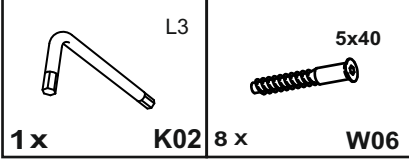
2

- 8x28 8x D01
- 4x T01
- 15x12 12x T02
- 6x S01
- 8x T05

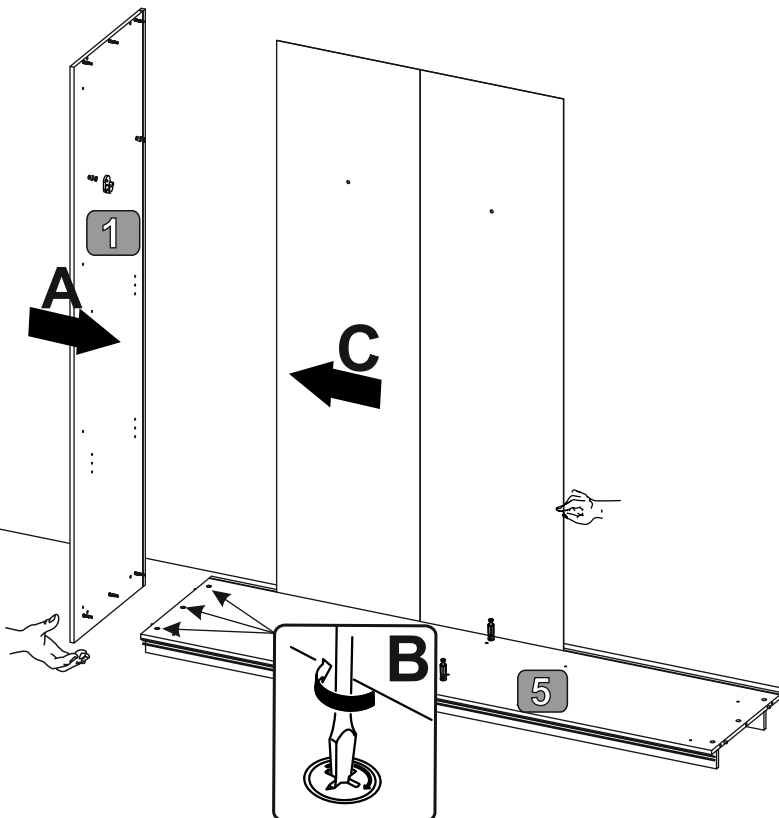
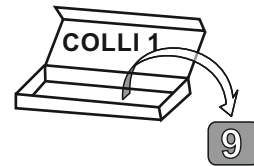
- 3 x 13 8x W03
- S16 1x



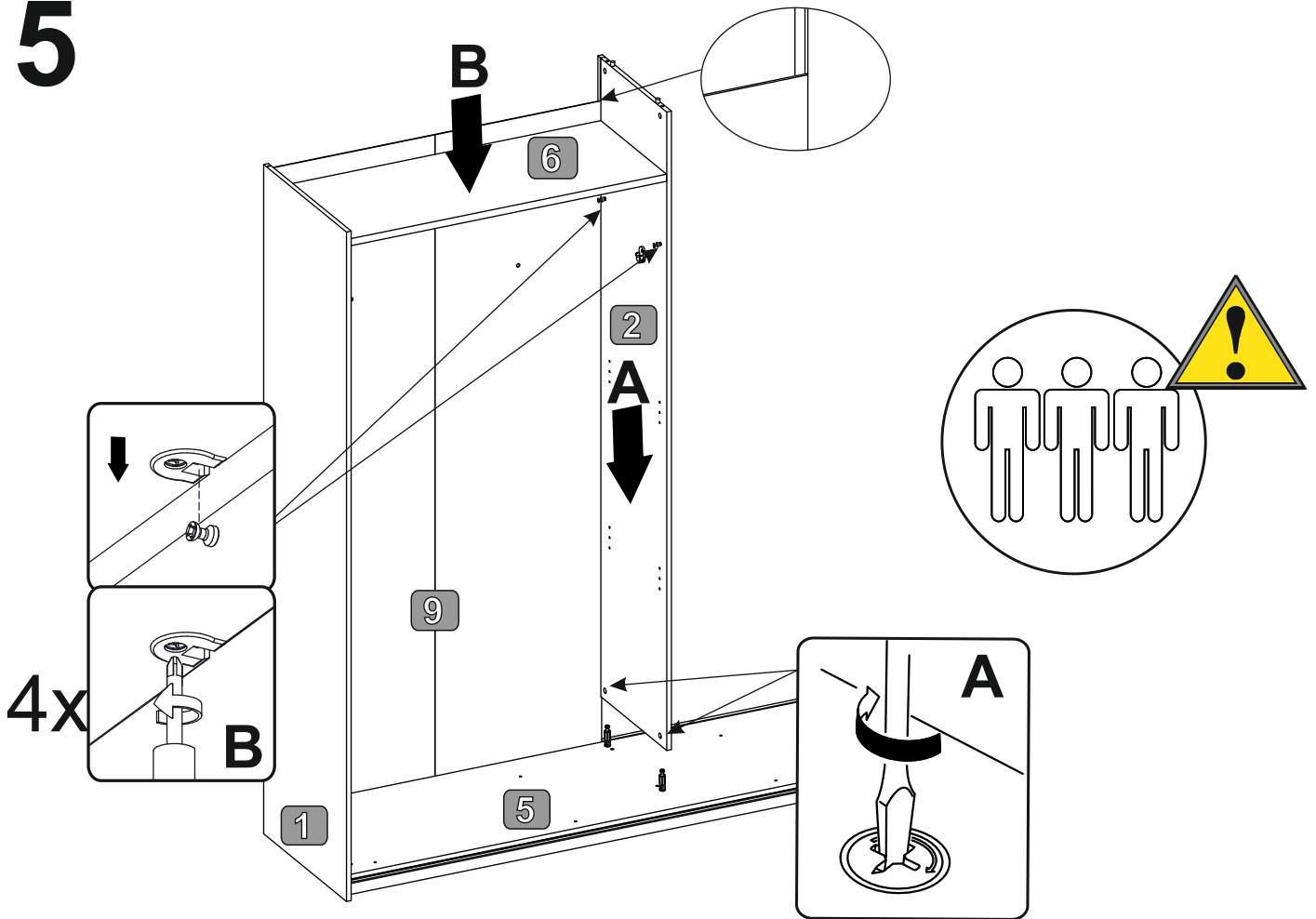
3



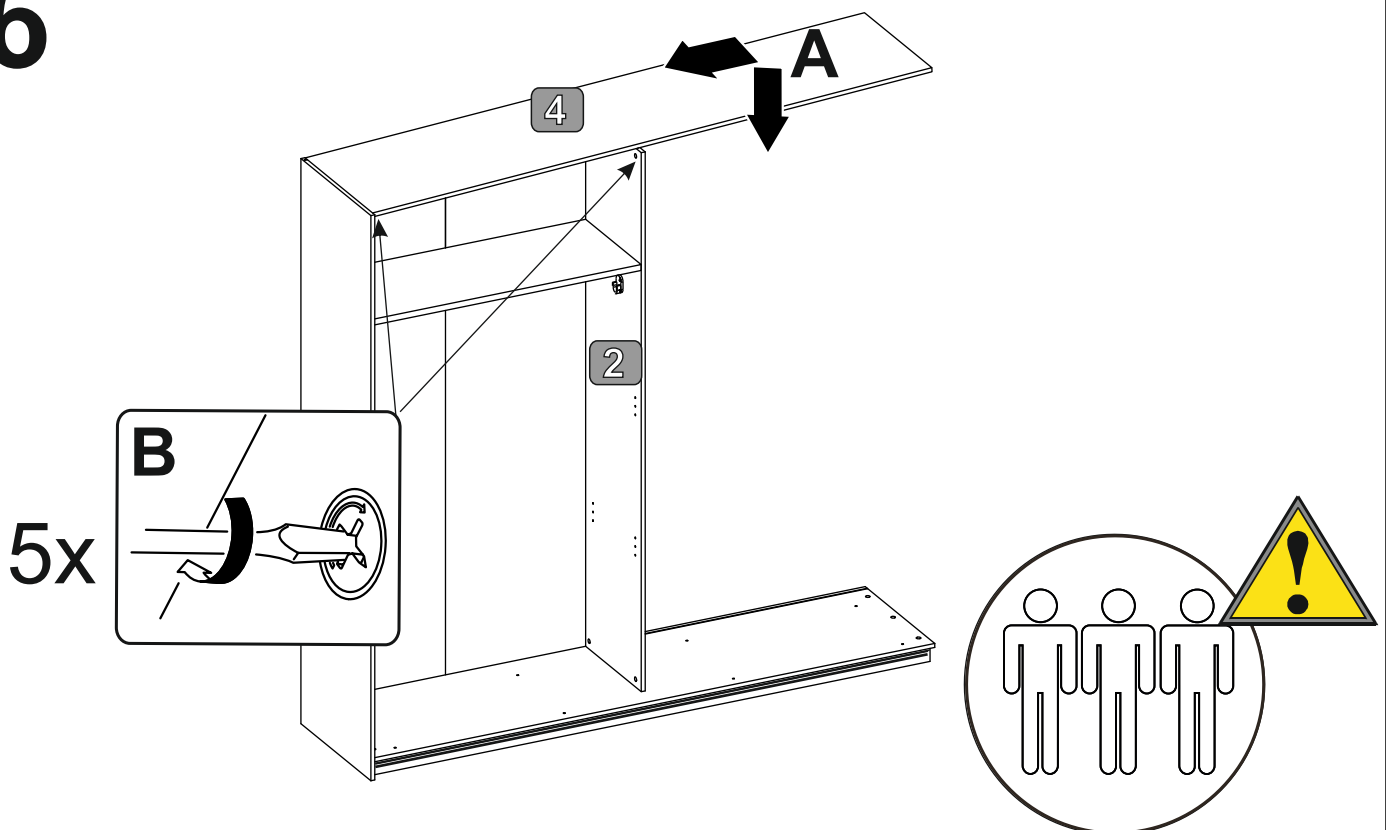
4



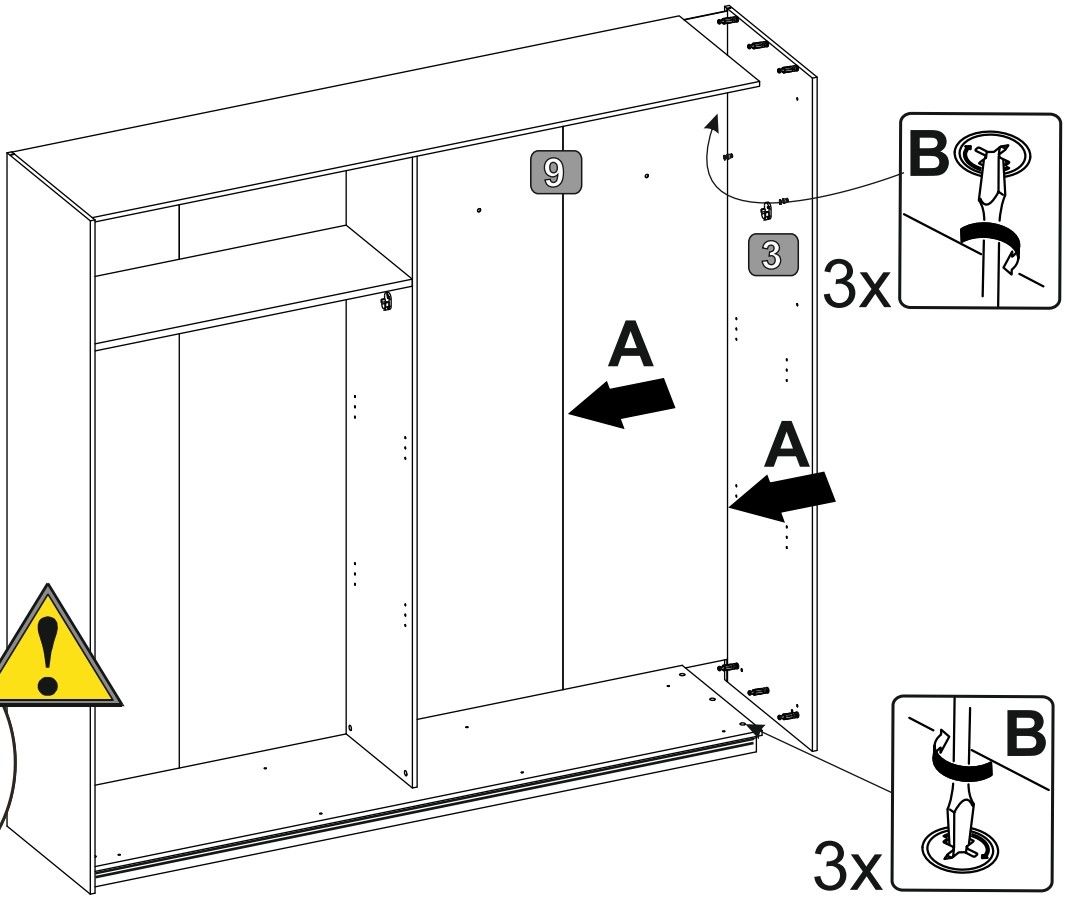
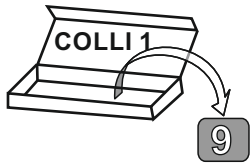
5



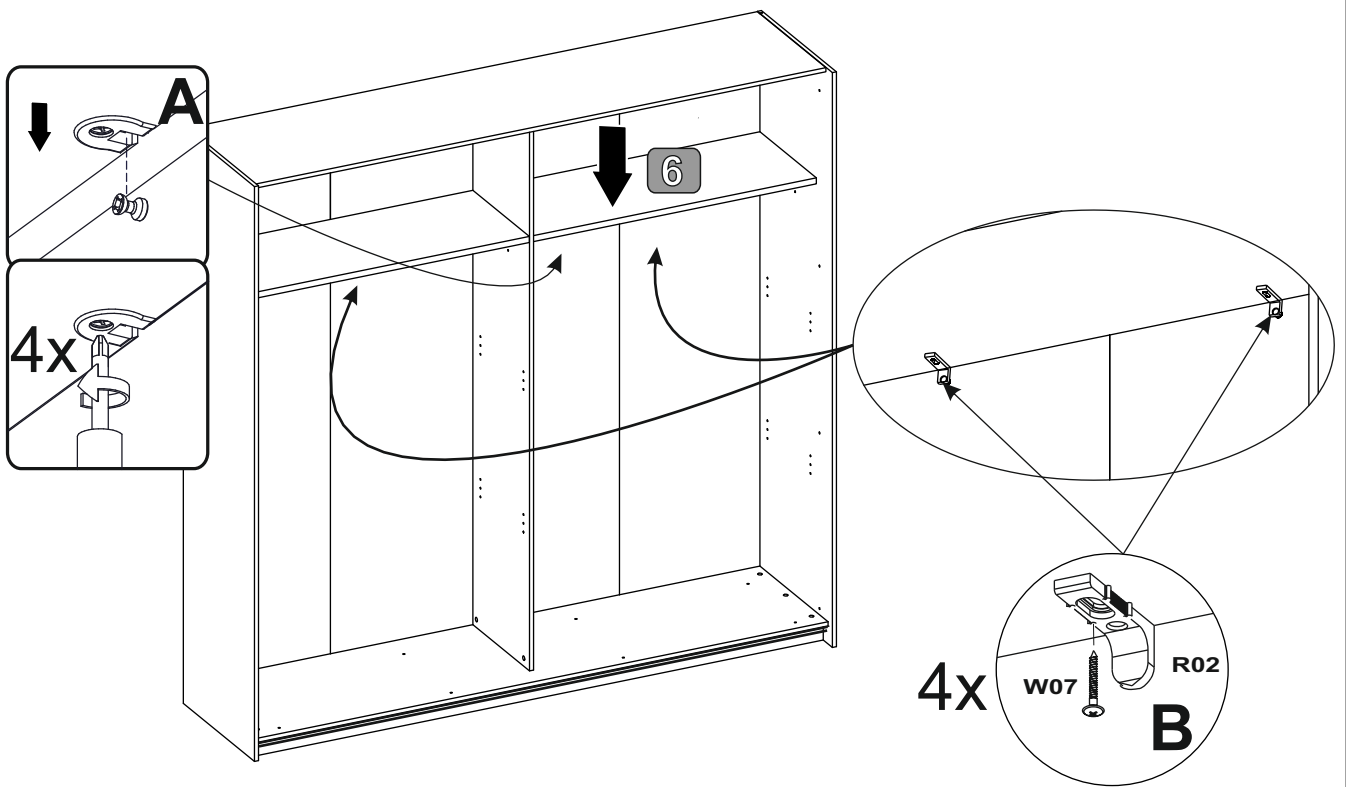
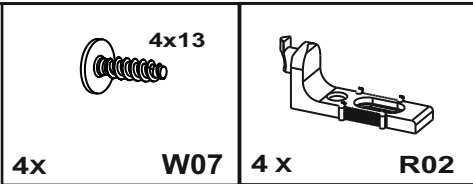
6








7

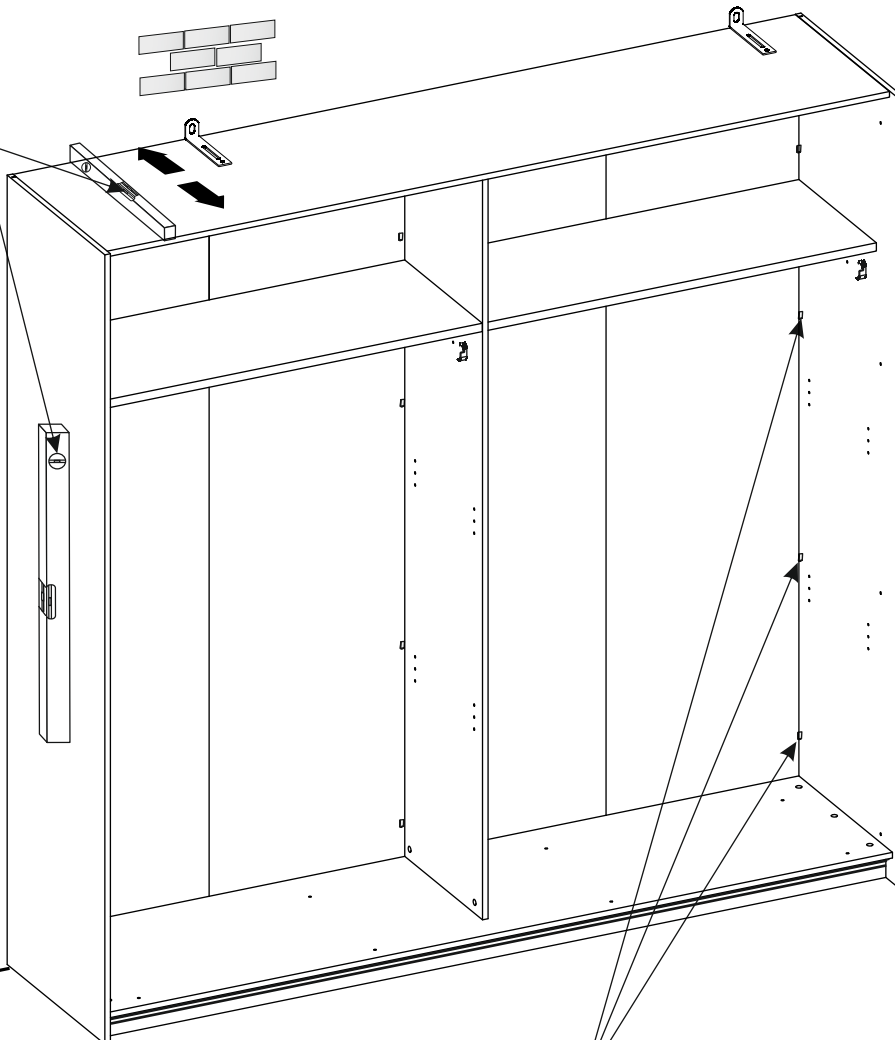
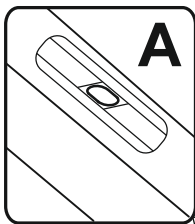
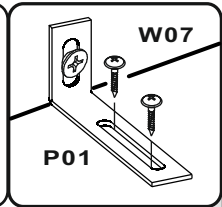
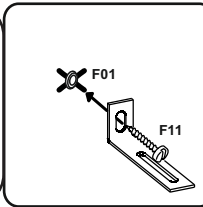
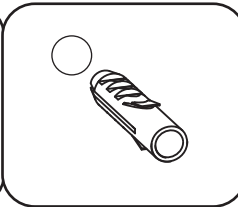
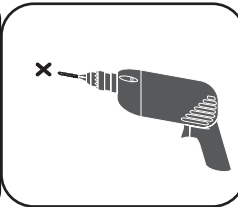
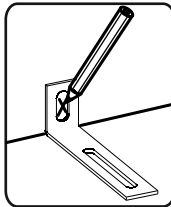


8

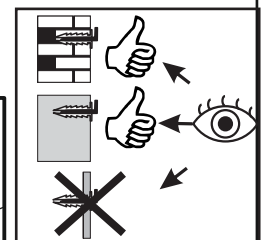
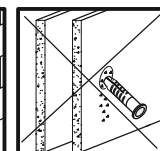
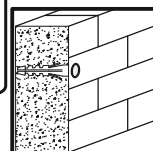
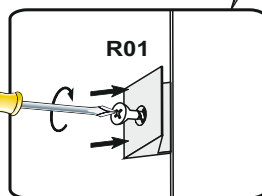


9

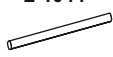

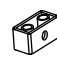
				
2x F11	2x F01	2x P01	4x W07	28 x R01

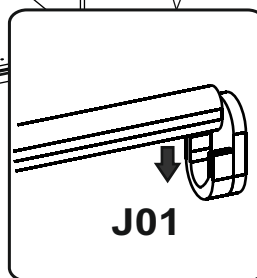
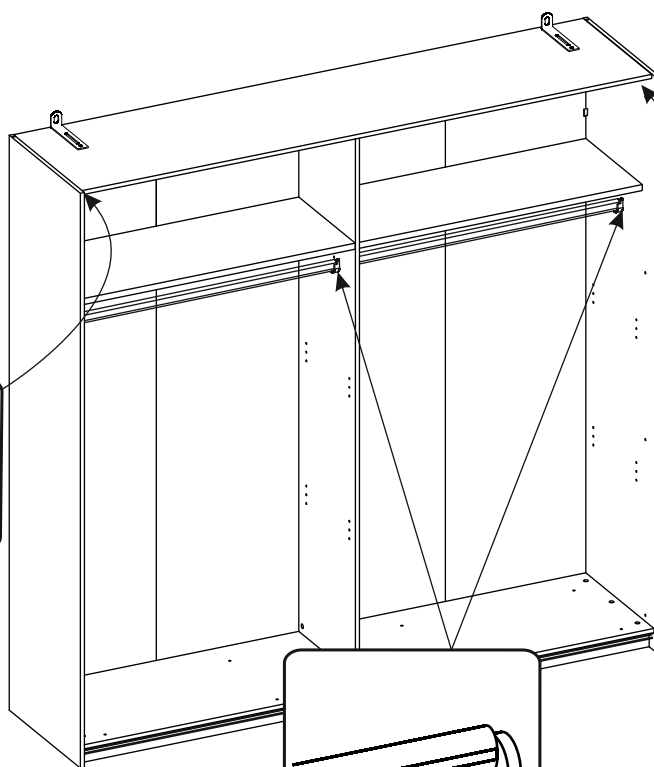
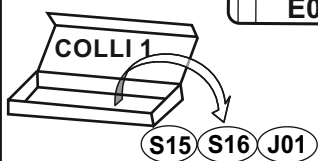
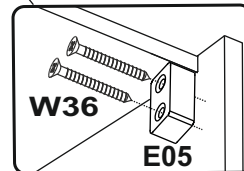
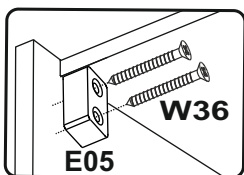


28x


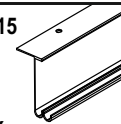


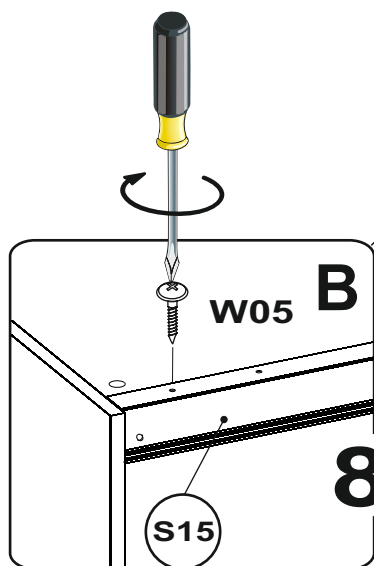
10

L-1044	3,5x25
	
2 x J01	4x W36
	
2x E05	

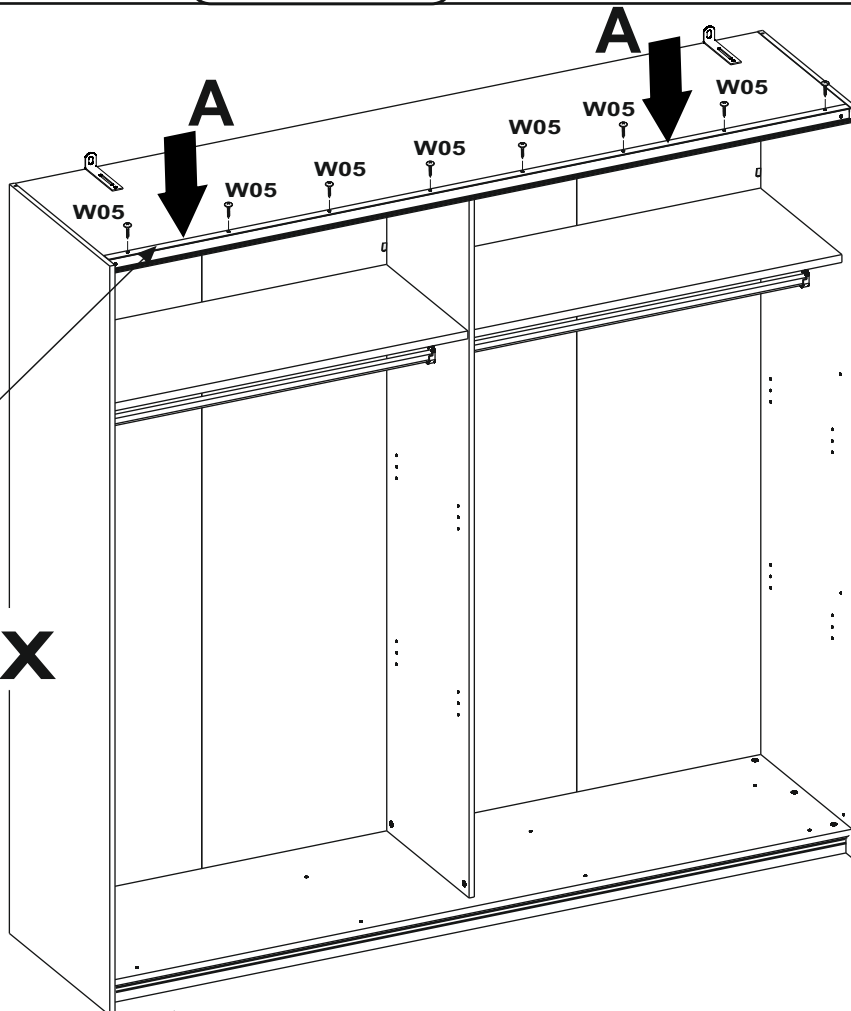


11

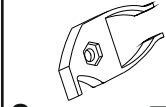
3,5x13	S15
	
8 x W05	1x



8x

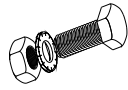


12



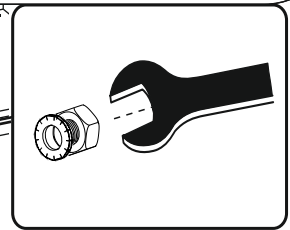
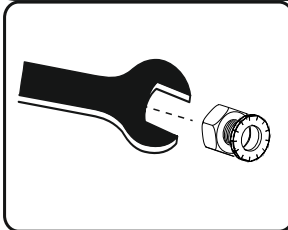
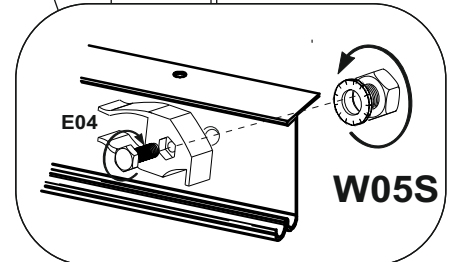
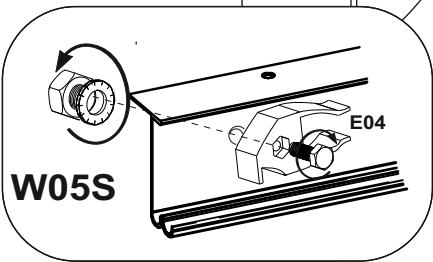
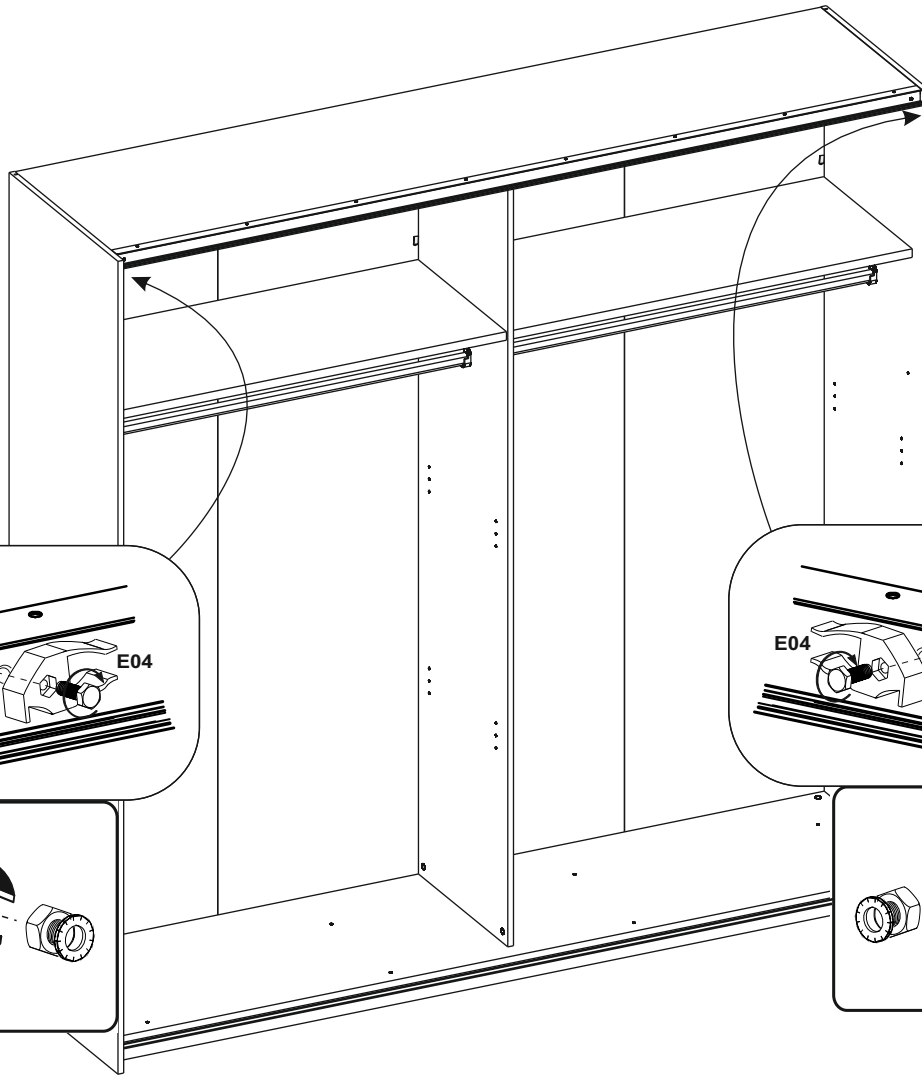
2X

E04

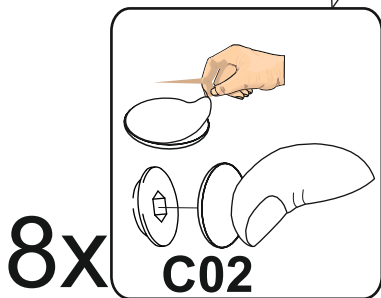
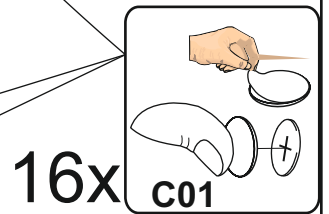
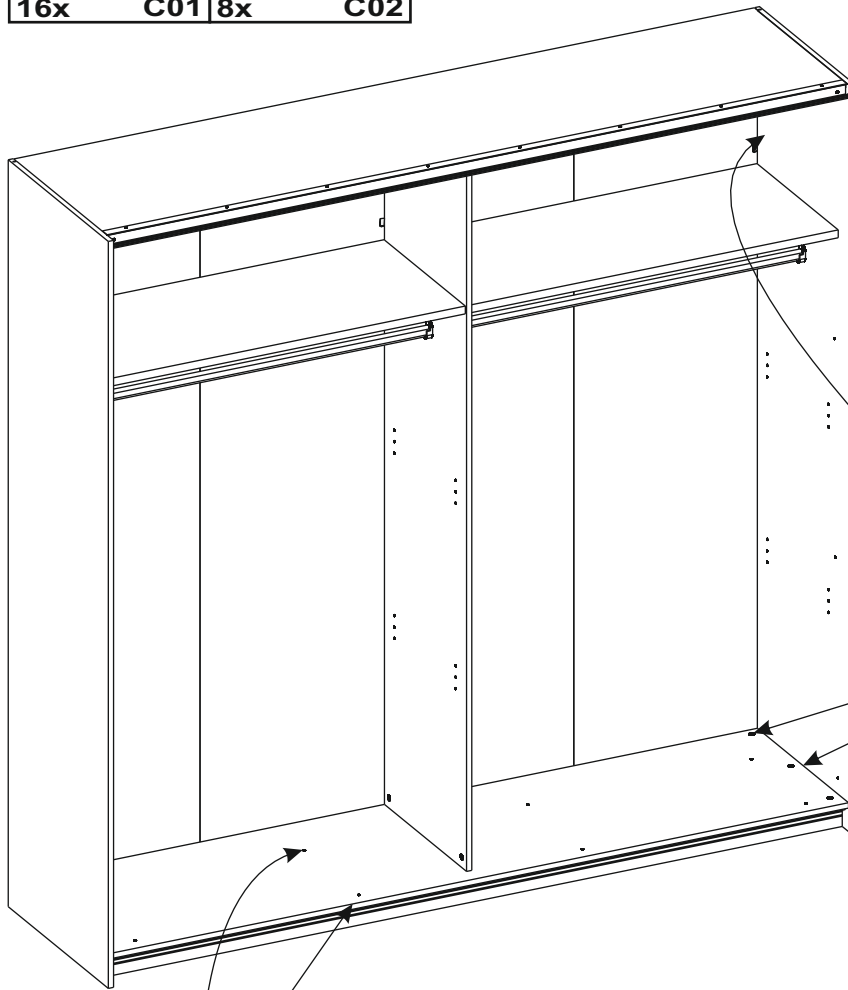
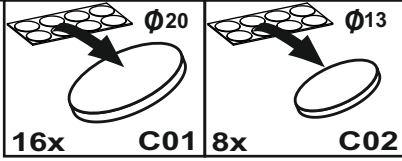


2X

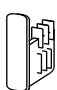
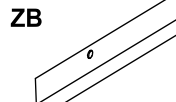
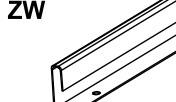
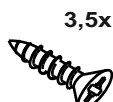
W05S

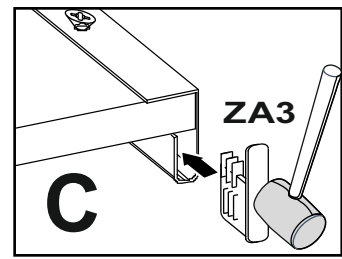
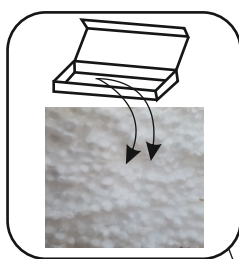
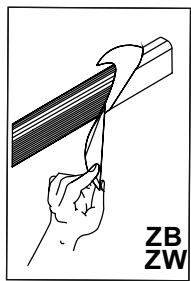


13

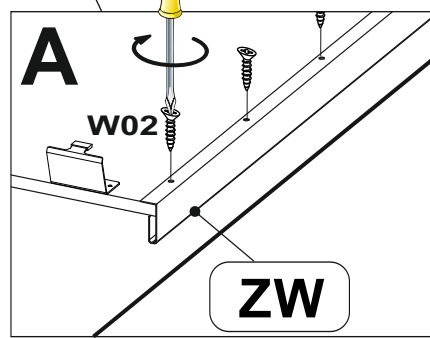
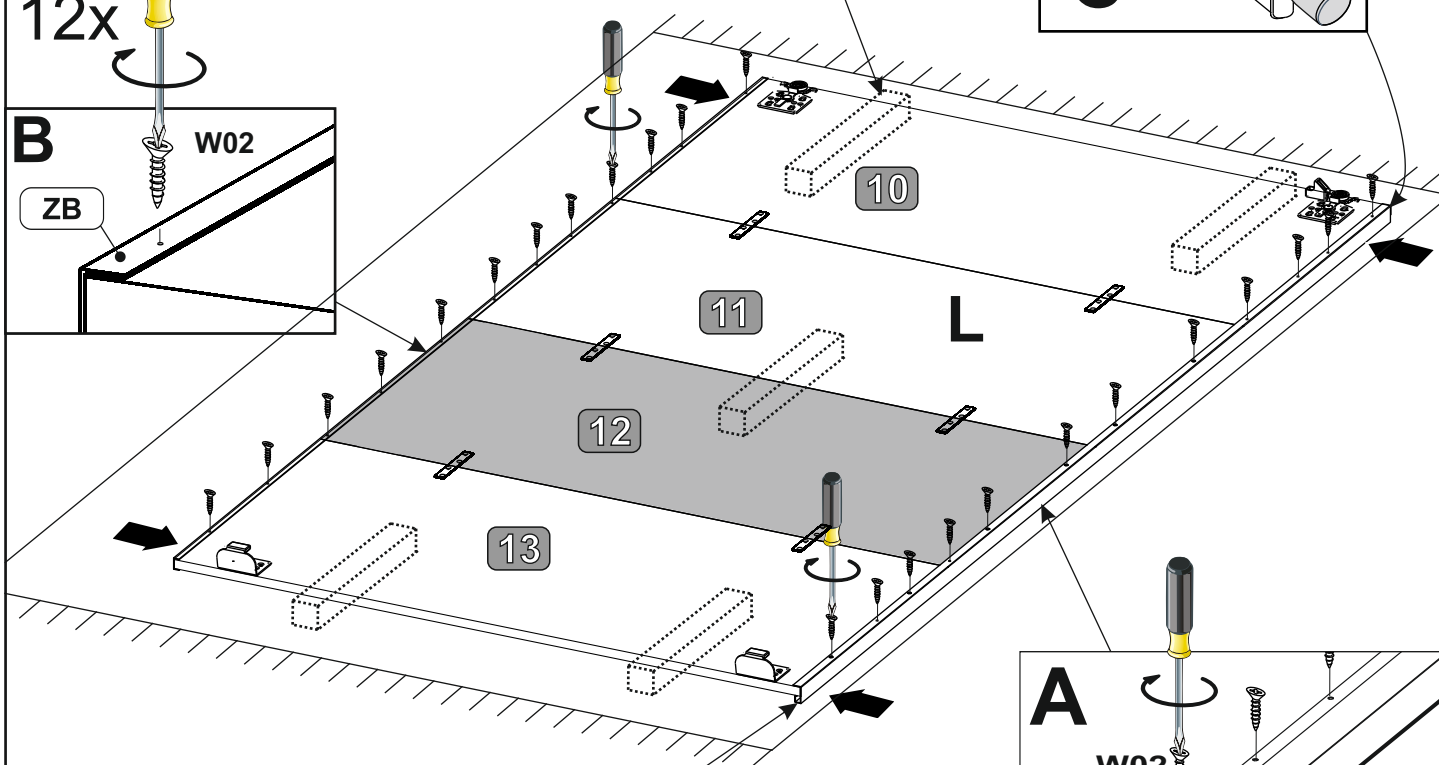
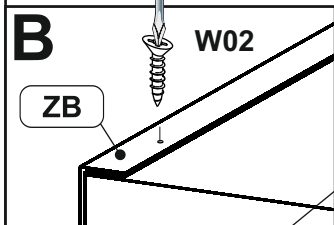


15

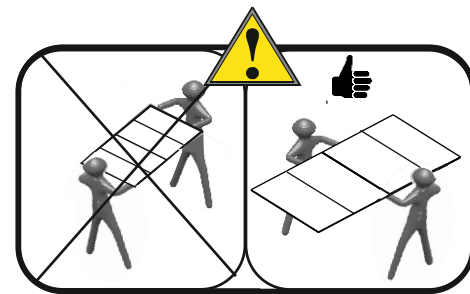
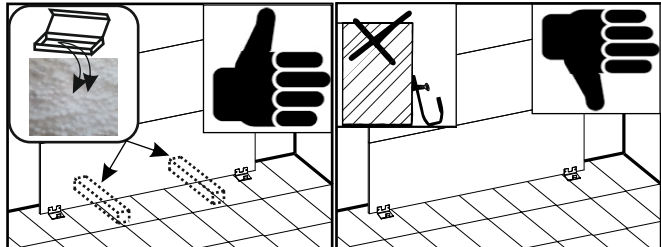
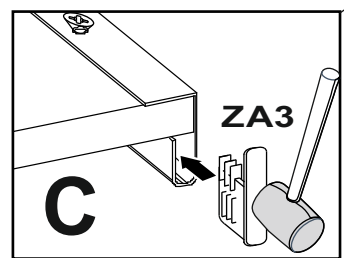
 H-29	 ZB	 ZW	 3,5x13
2x	ZA3 1x	1x	24x W02



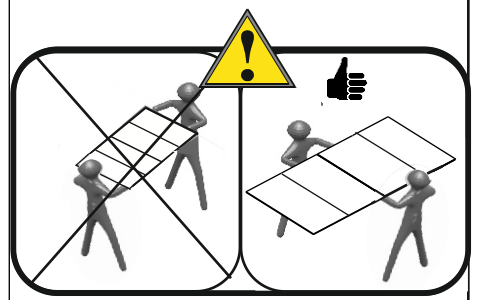
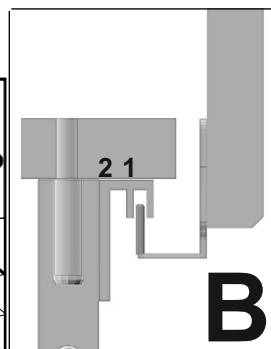
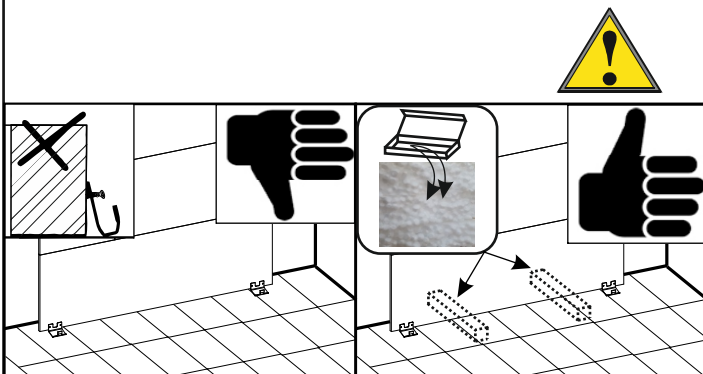
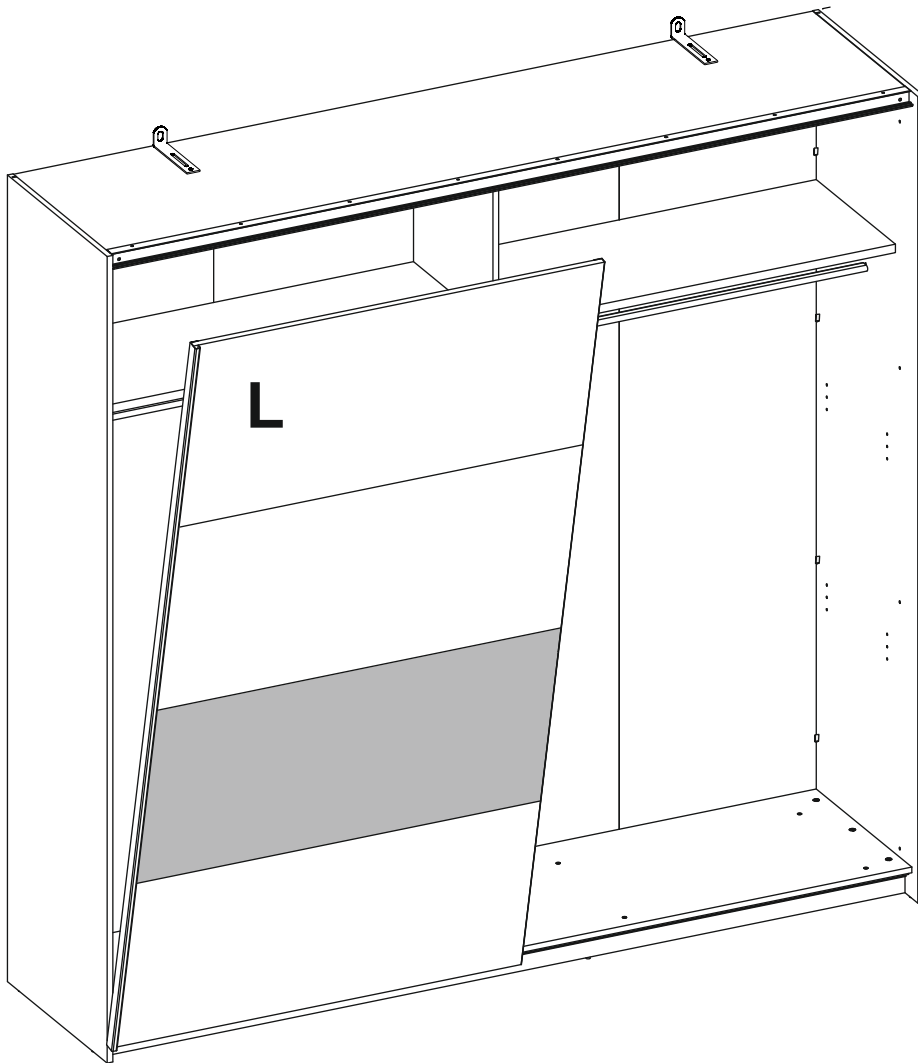
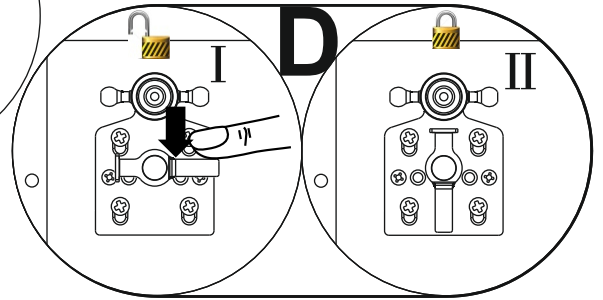
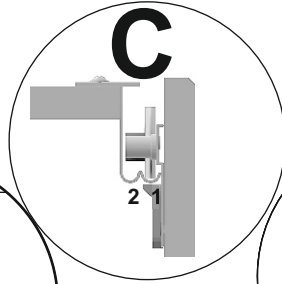
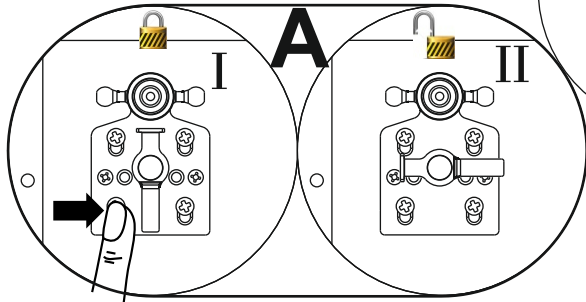
12x



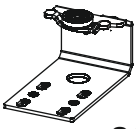

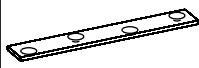
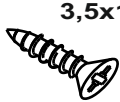

12x

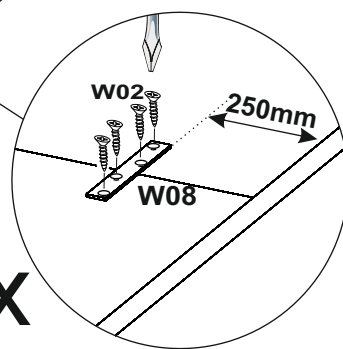
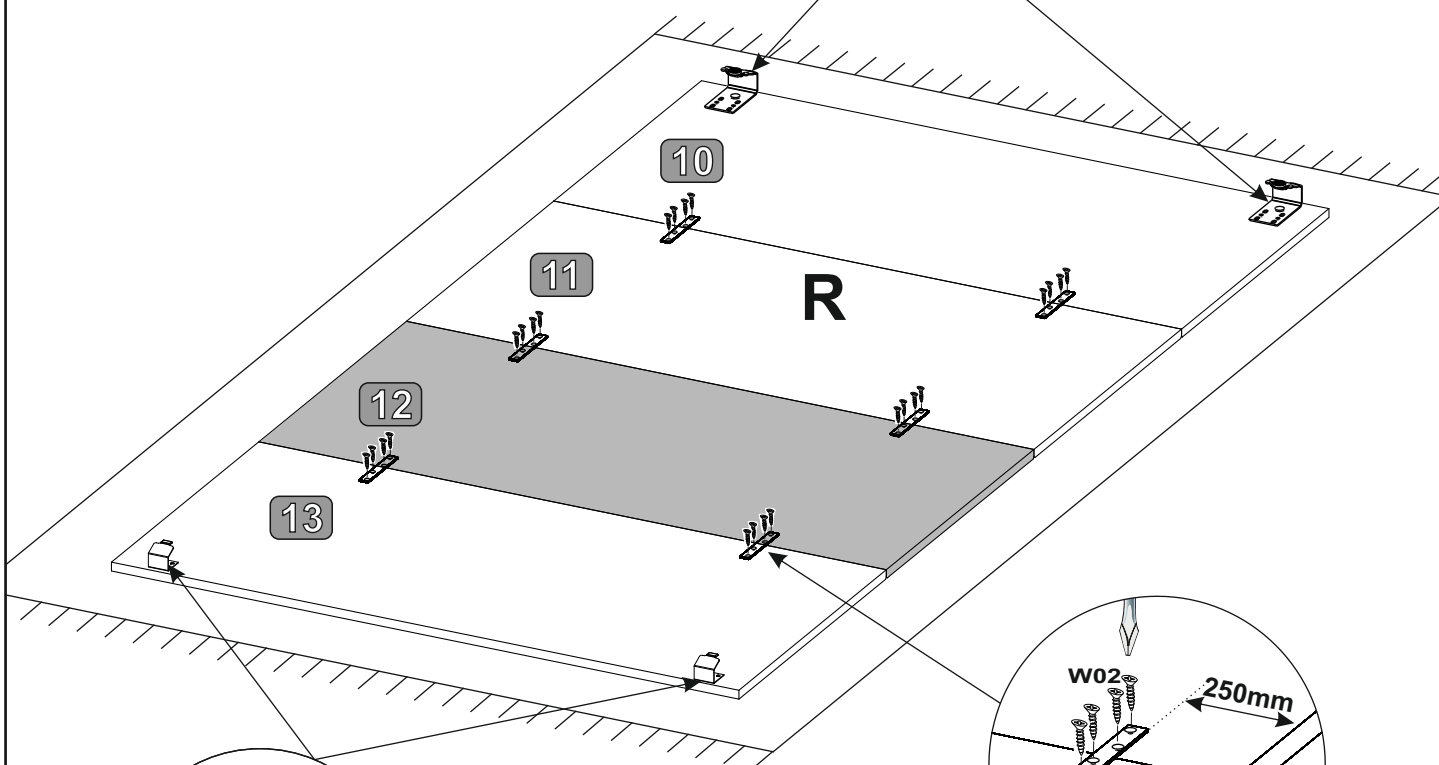
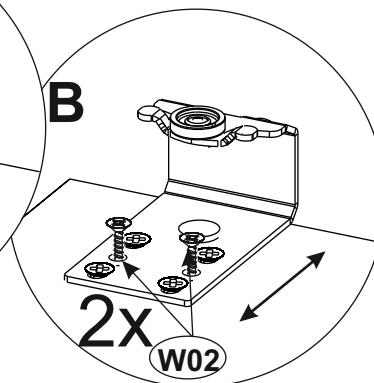
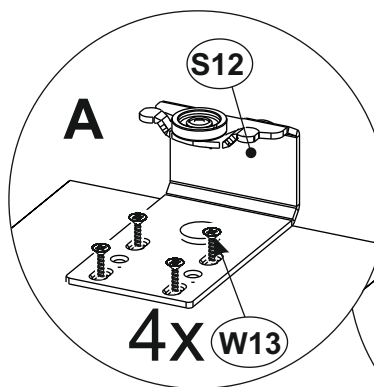


16

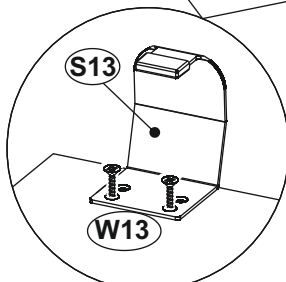


17

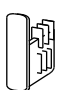

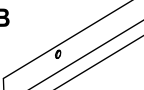

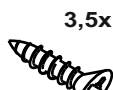
 2x S12	 2x S13	 6x W08	 3,5x13 28x W02
 4x13 12x W13			

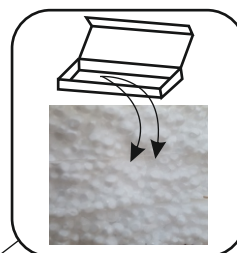
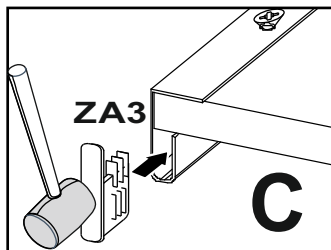
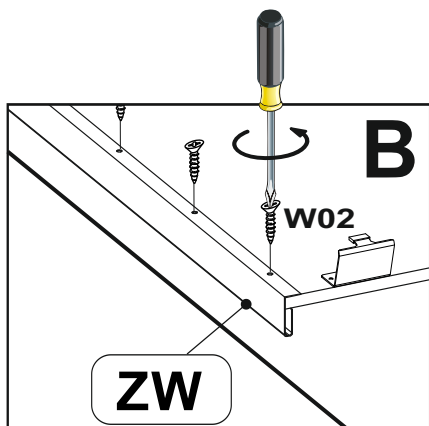
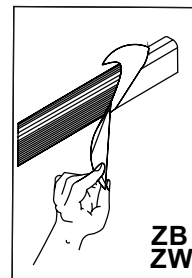


6x

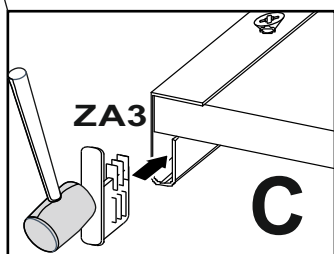
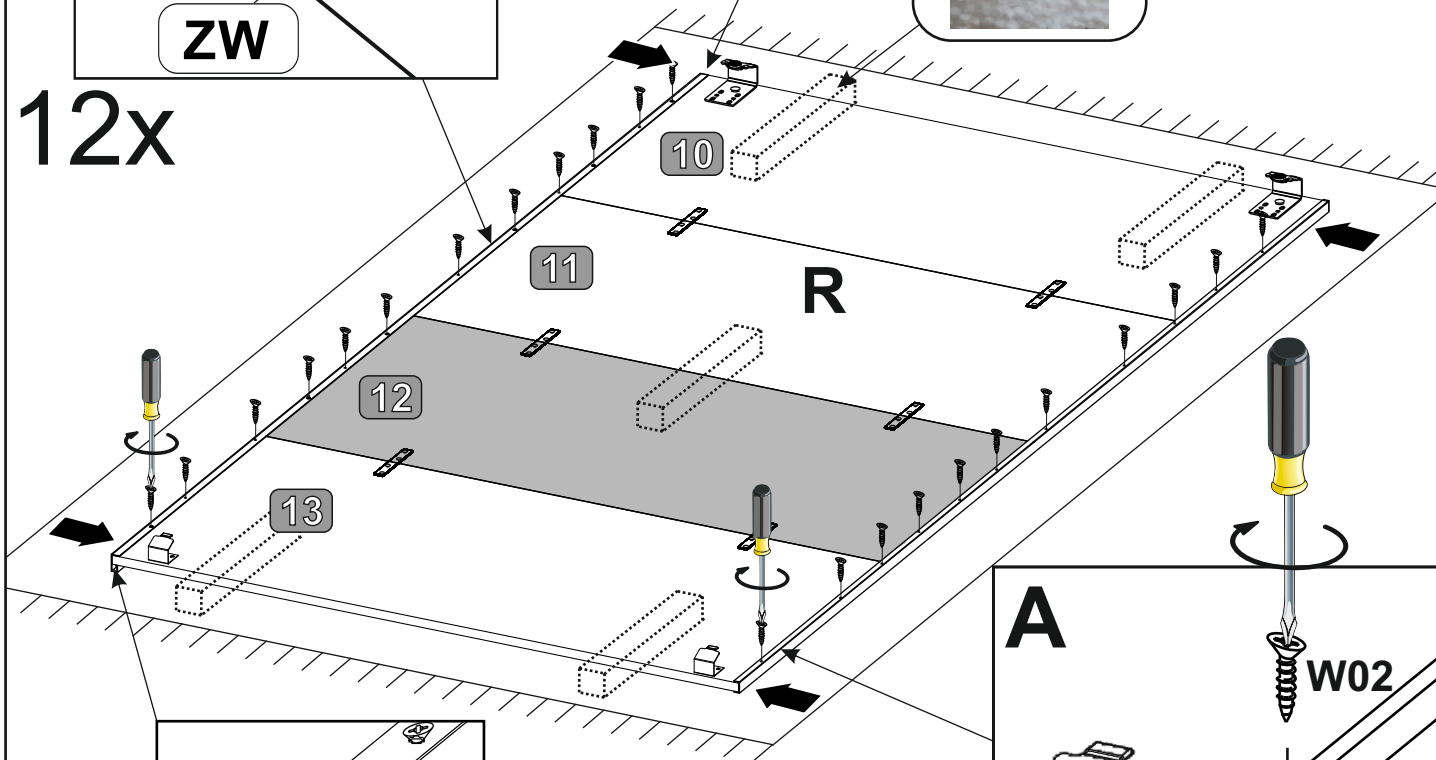


18

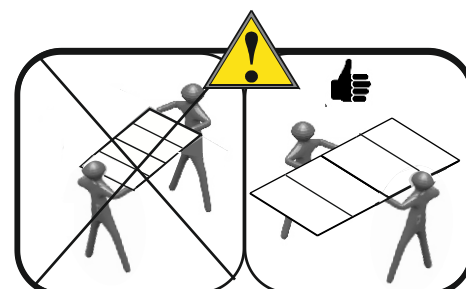
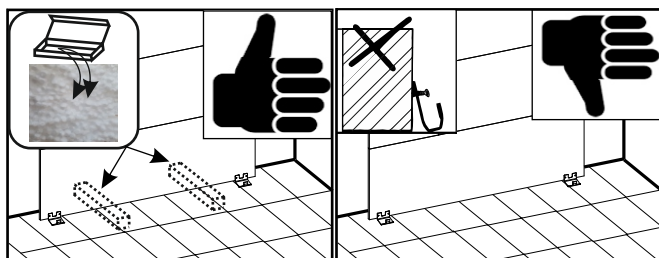
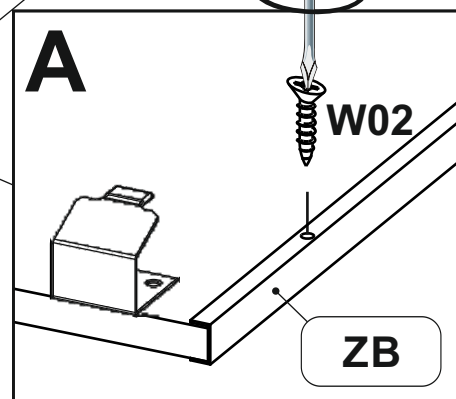
 H-29 2x	 ZA3 1x	 ZB 1x	 ZW 1x	 3,5x13 W02 24x
---	--	---	---	---



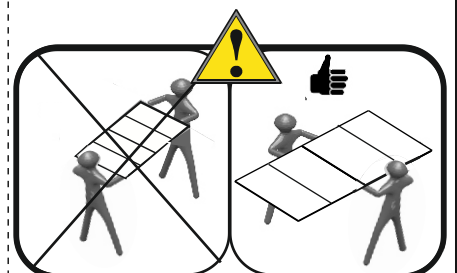
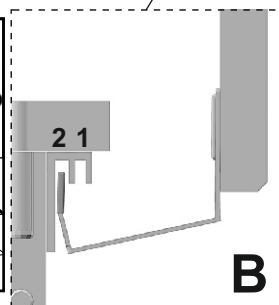
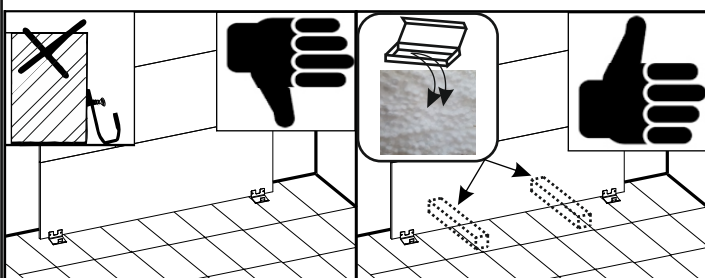
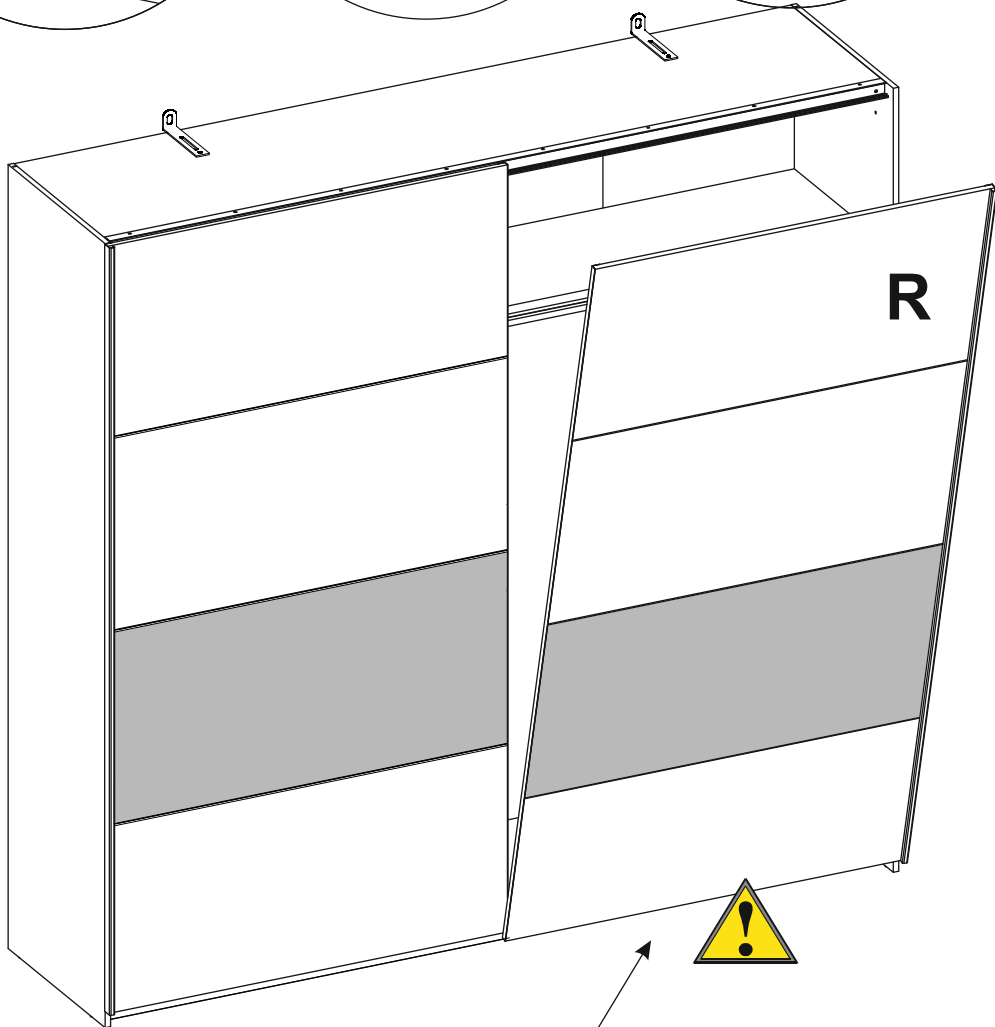
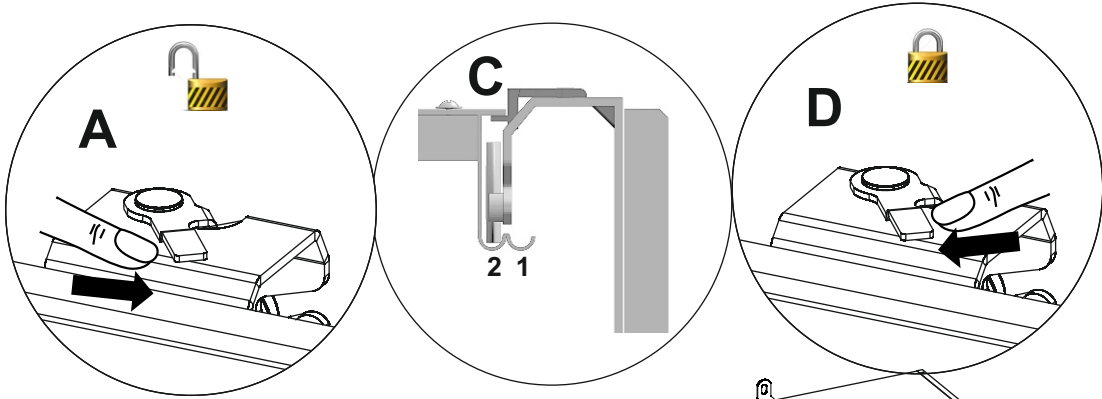
12x



12x



19



20

