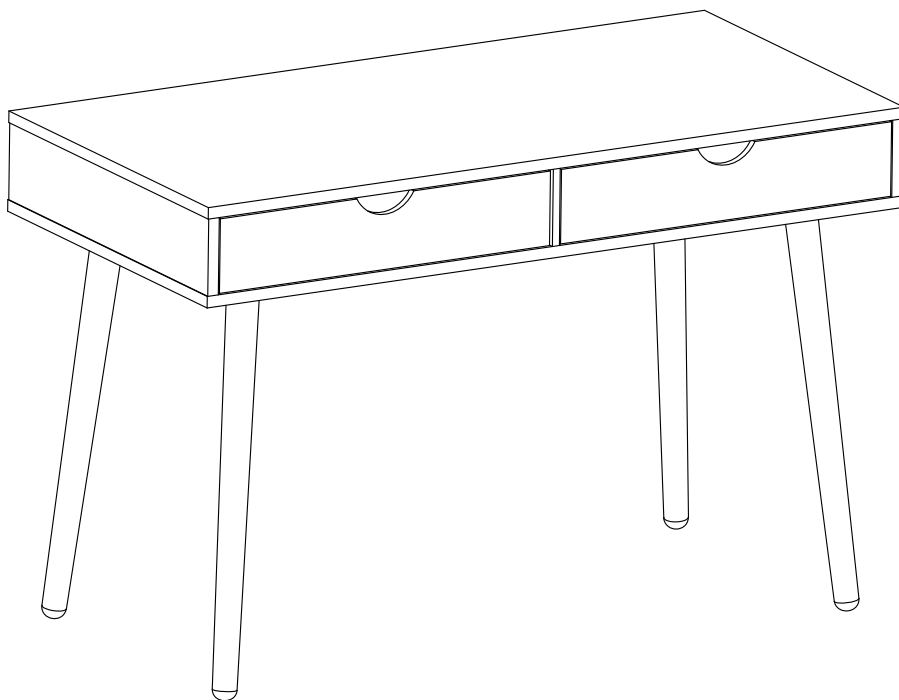
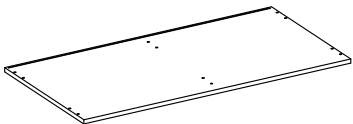
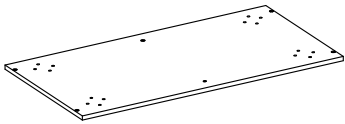
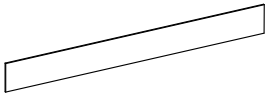
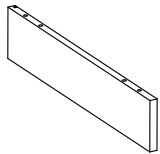
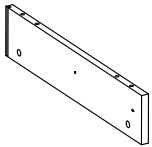
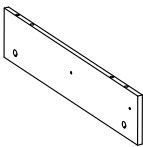

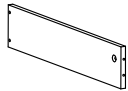








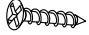

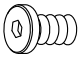
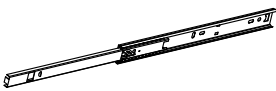



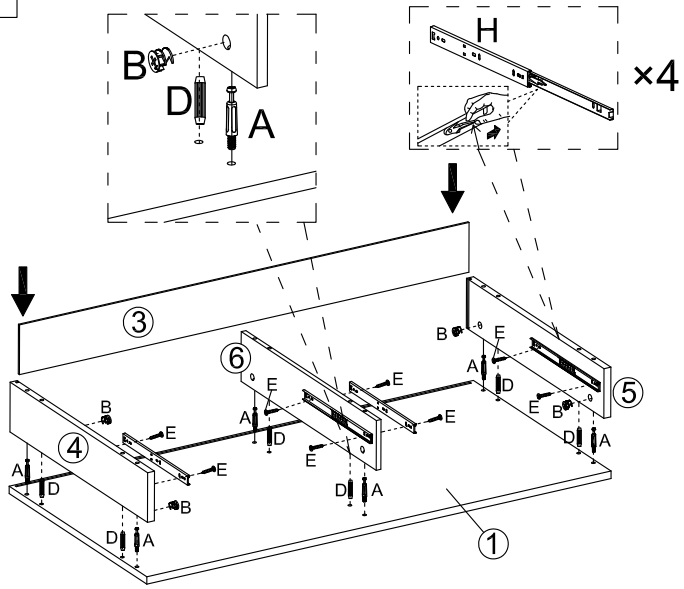
# ASSEMBLY INSTRUCTION

\*\*\*DO NOT TIGHTEN SCREWS UNTIL COMPLETELY ASSEMBLED\*\*\*

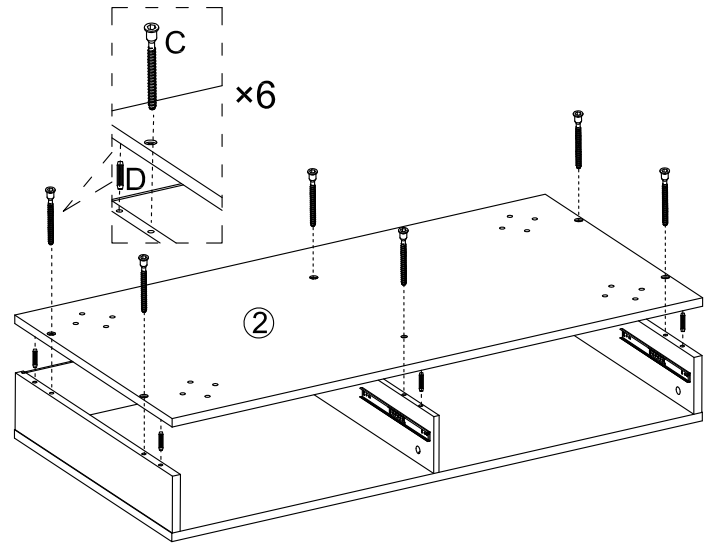


				
①×1PC	②×1PC	③×1PC	④×1PC	
				
⑤×1PC	⑥×1PC	⑦×2PCS	⑧×2PCS	
				
⑨×2PCS	⑩×2PCS	⑪×2PCS	⑫×4PCS	
				
A×10PCS	B×10PCS	C×6PCS	D×16PCS	E×16PCS
				
F×8PCS	G×16PCS	H×4PCS	I×1PC 4mm	

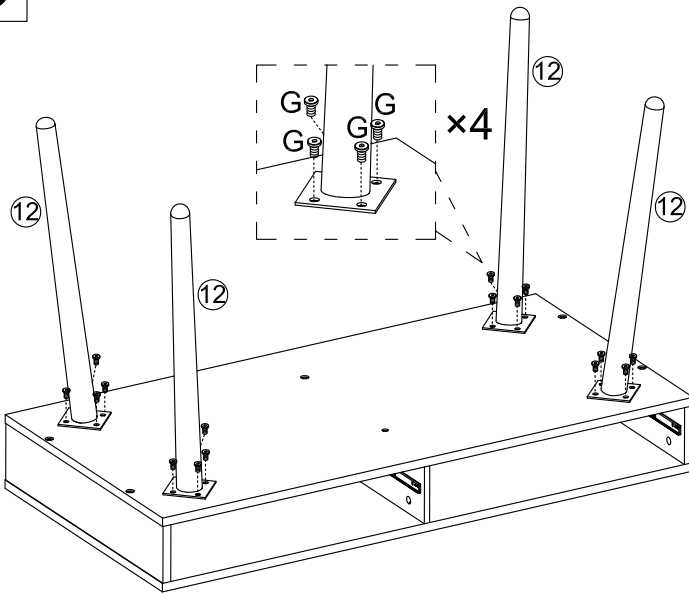
1



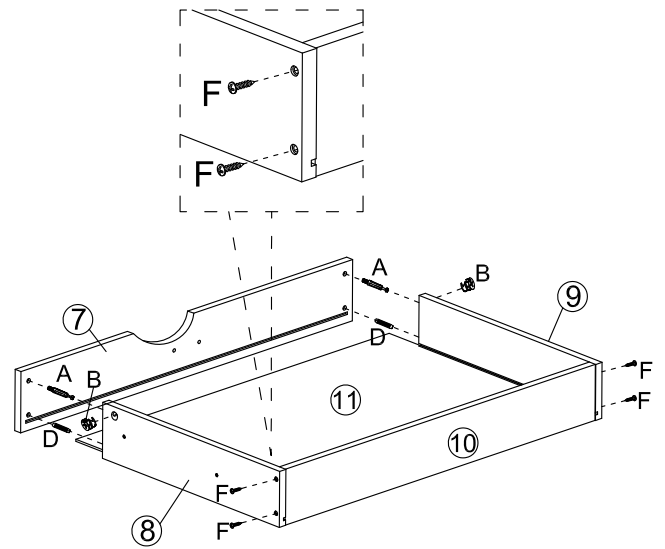
2



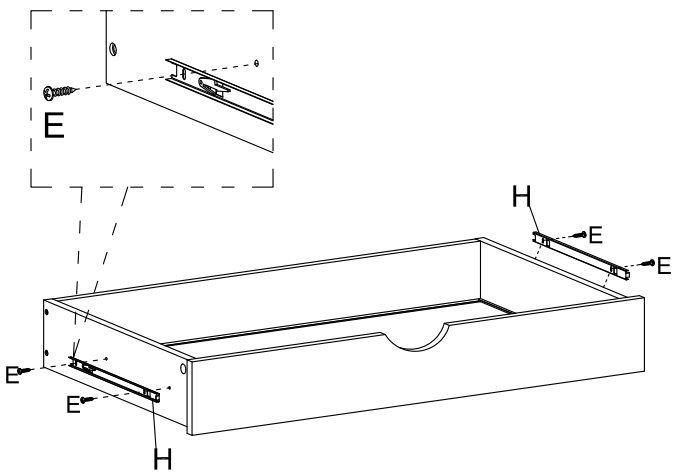
3



4



5



6

